



US007981649B2

(12) **United States Patent**  
**Wikswø et al.**

(10) **Patent No.:** **US 7,981,649 B2**  
(45) **Date of Patent:** **Jul. 19, 2011**

(54) **DEVICE AND METHODS FOR MONITORING THE STATUS OF AT LEAST ONE CELL**

(56) **References Cited**

(75) Inventors: **John P. Wikswø**, Brentwood, TN (US);  
**Franz J. Baudenbacher**, Franklin, TN (US); **Owen McGuinness**, Brentwood, TN (US)

(73) Assignee: **Vanderbilt University**, Nashville, TN (US)

(\* ) Notice: Subject to any disclaimer, the term of this patent is extended or adjusted under 35 U.S.C. 154(b) by 252 days.

(21) Appl. No.: **12/229,503**

(22) Filed: **Aug. 22, 2008**

(65) **Prior Publication Data**

US 2009/0068700 A1 Mar. 12, 2009

**Related U.S. Application Data**

(62) Division of application No. 10/755,639, filed on Jan. 12, 2004, now Pat. No. 7,435,578.

(60) Provisional application No. 60/310,652, filed on Aug. 6, 2001.

(51) **Int. Cl.**

**C12N 13/00** (2006.01)

**C12M 1/34** (2006.01)

**C12M 3/00** (2006.01)

(52) **U.S. Cl.** ..... **435/173.5**; 435/288.3; 435/305.3; 435/288.4; 435/244; 435/173.4; 435/285.2; 435/288.2; 435/288.5; 435/173.7; 435/30; 204/403.01

(58) **Field of Classification Search** ..... 435/288.3, 435/305.3, 288.4, 244, 173.4, 285.2, 288.2, 435/173.5, 173.7, 288.5, 30; 204/403.01

See application file for complete search history.

U.S. PATENT DOCUMENTS

|              |      |         |                                |
|--------------|------|---------|--------------------------------|
| 3,403,081    | A    | 9/1968  | Rohrbach et al.                |
| 5,278,048    | A    | 1/1994  | Parce et al.                   |
| 6,051,422    | A    | 4/2000  | Kovacs et al.                  |
| 6,151,519    | A    | 11/2000 | Sugihara et al.                |
| 6,197,575    | B1   | 3/2001  | Griffith et al.                |
| 6,268,168    | B1   | 7/2001  | Farb et al.                    |
| 6,482,619    | B1 * | 11/2002 | Rubinsky et al. .... 435/173.7 |
| 6,984,297    | B2 * | 1/2006  | Nisch et al. .... 204/403.01   |
| 2003/0107386 | A1 * | 6/2003  | Dodgson et al. .... 324/699    |

FOREIGN PATENT DOCUMENTS

DE 19512117 A1 10/1996

(Continued)

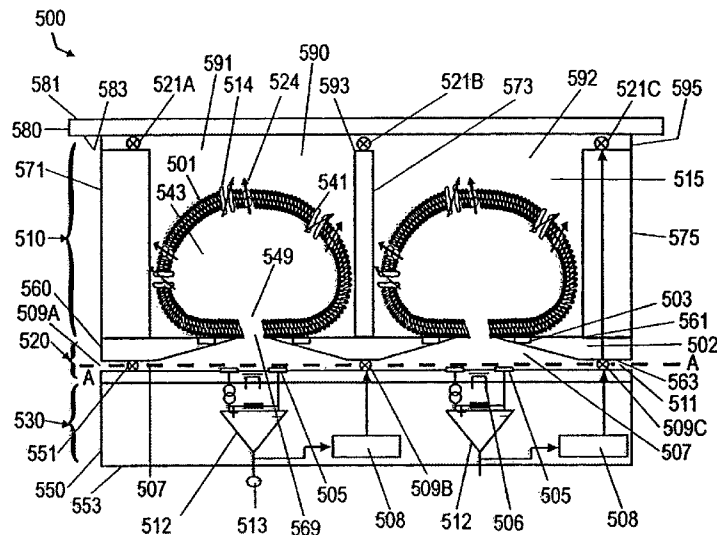
*Primary Examiner* — Nathan A Bowers

(74) *Attorney, Agent, or Firm* — Morris Manning Martin LLP; Tim Tingkang Xia, Esq.

(57) **ABSTRACT**

A device and methods for monitoring status of at least one cell, wherein the cell has a membrane forming a substantially enclosed structure and defining an intracellular space therein. In one embodiment of the present invention, the device includes a first substrate having a first surface and an opposite second surface, a second substrate supported by the first substrate, the second substrate having a first surface, an opposite second surface, a body portion between the first surface and the second surface, a first side surface and an opposite second side surface, wherein the body portion defines a first passage between the first side surface and the second side surface and an opening on the first surface of the second substrate and in fluid communication with the first passage, and sidewalls positioned above the first surface of the second substrate. In one operation mode, when a first medium is introduced into the first passage, the intracellular space of the cell is in fluid communication with the first passage with the first medium, a sensor measures the response of the cell to the first medium.

**42 Claims, 41 Drawing Sheets**



# US 7,981,649 B2

Page 2

---

| FOREIGN PATENT DOCUMENTS |          |         |           |
|--------------------------|----------|---------|-----------|
| EP                       | 0881490  | A2      | 12/1998   |
| FR                       | 2646510  | A       | 11/1990   |
| GB                       | 2029026  | A       | 3/1980    |
| JP                       | 03134527 | A       | 6/1991    |
|                          | WO       | 9610742 | A 4/1996  |
|                          | WO       | 9960371 | A 11/1999 |
|                          | WO       | 0066266 | A 11/2000 |
|                          | WO       | 0150102 | A1 7/2001 |

\* cited by examiner

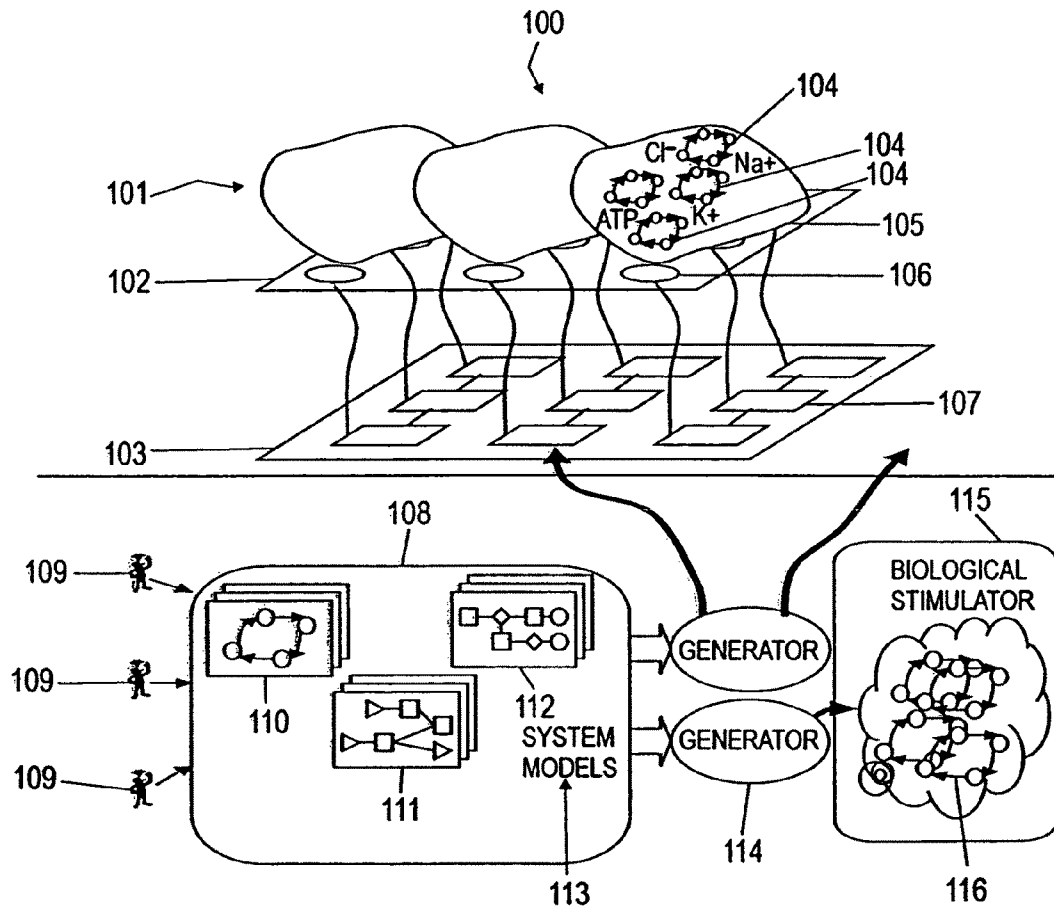


Fig. 1

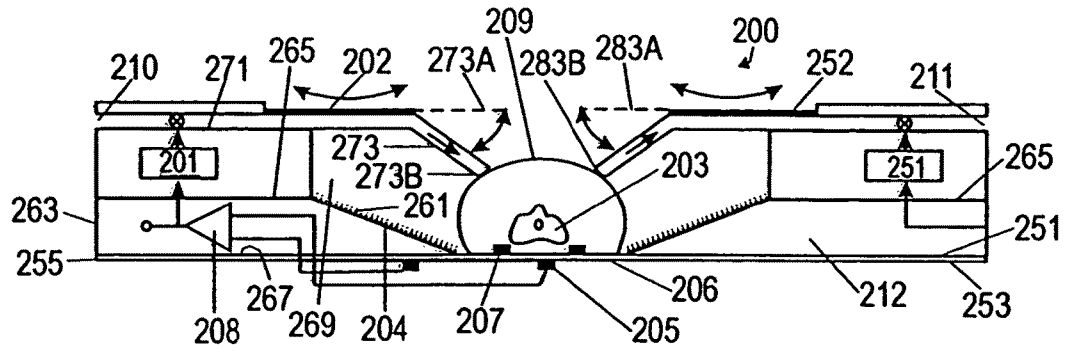


Fig. 2A

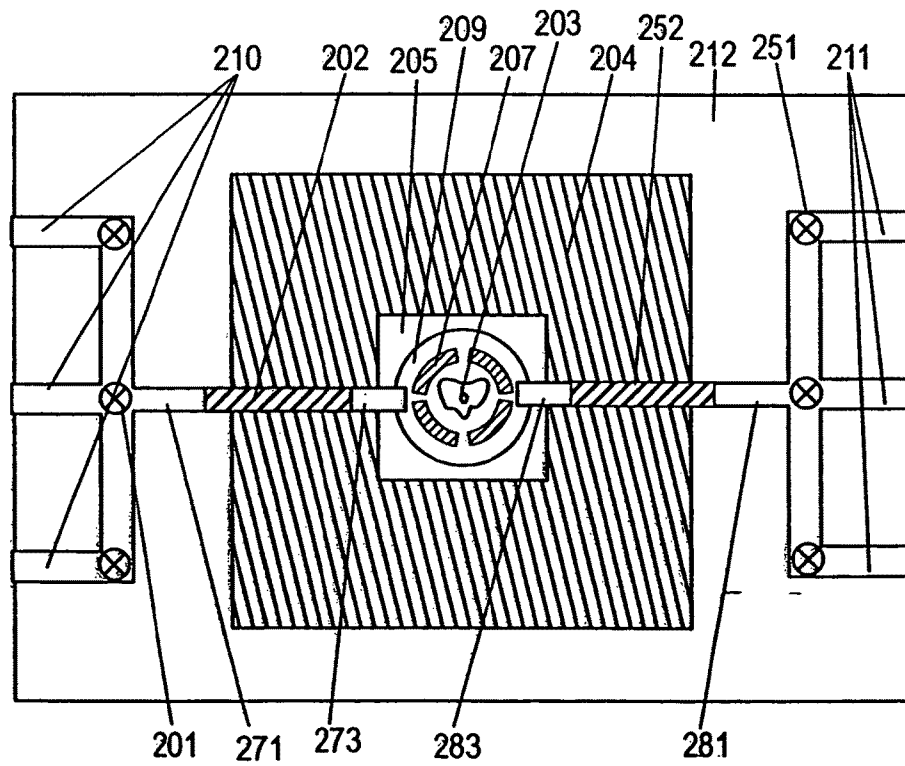


Fig. 2B



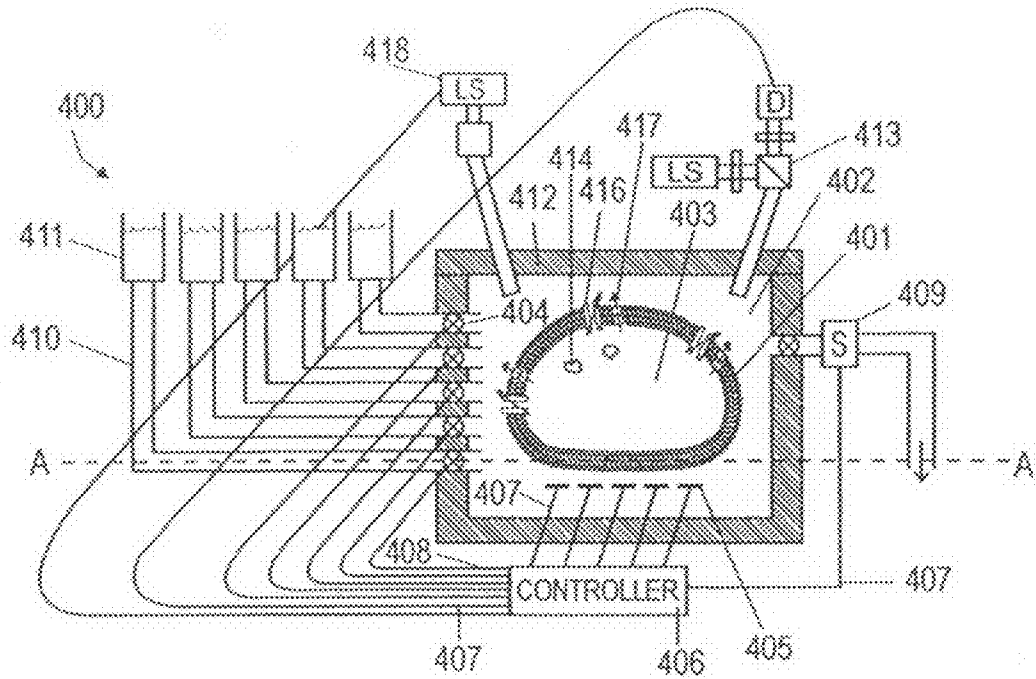


Fig. 4A

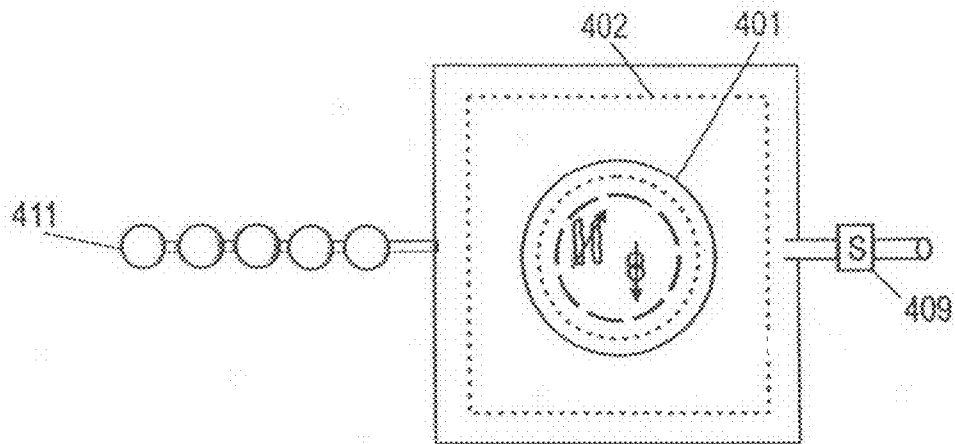


Fig. 4B

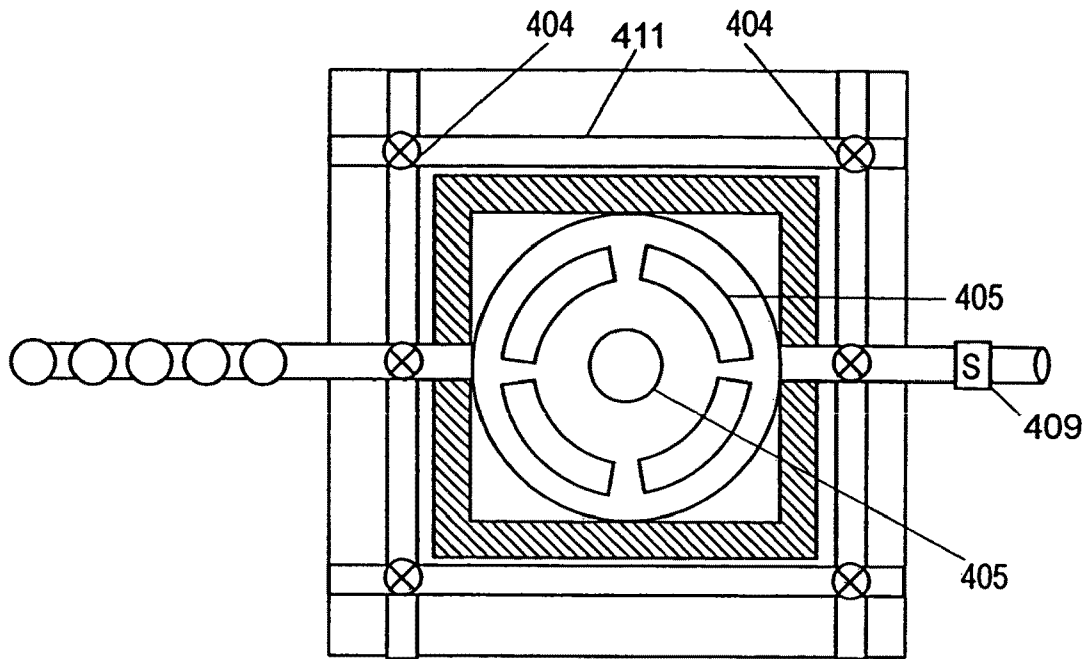


Fig. 4C

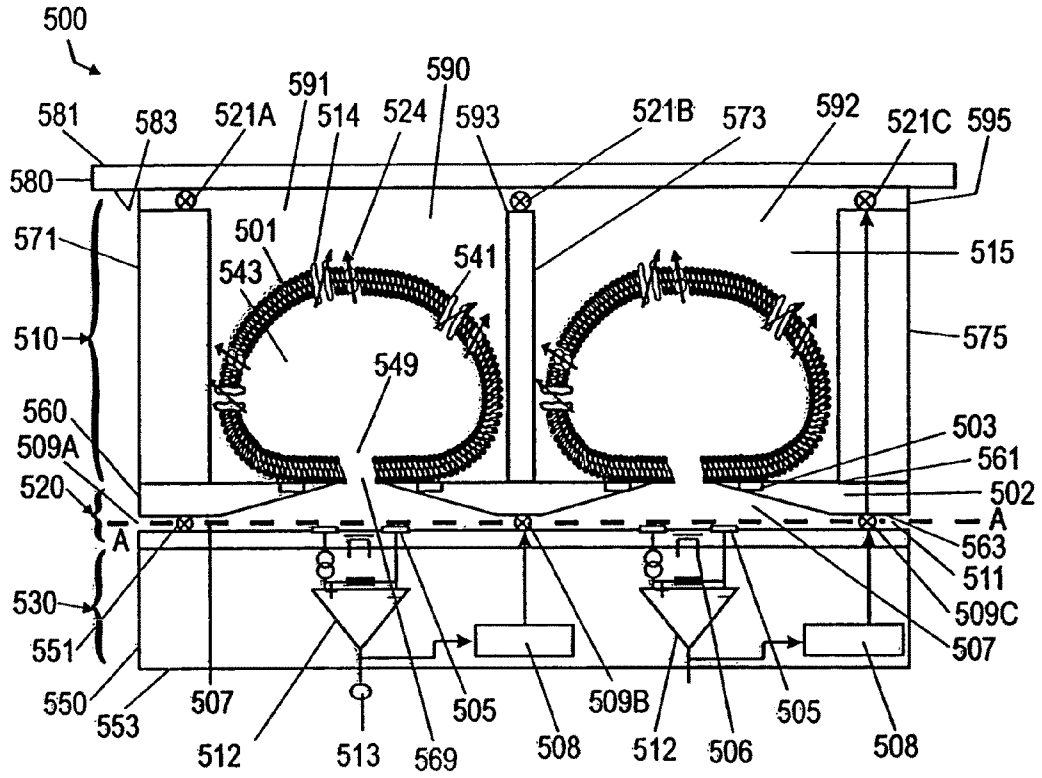


Fig. 5A

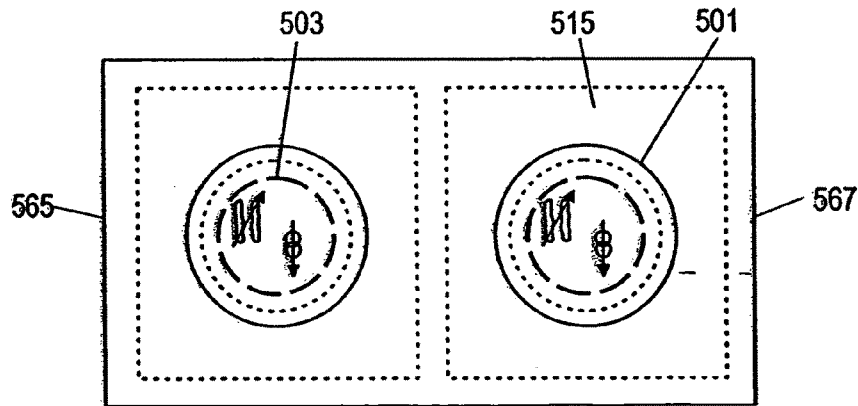


Fig. 5B



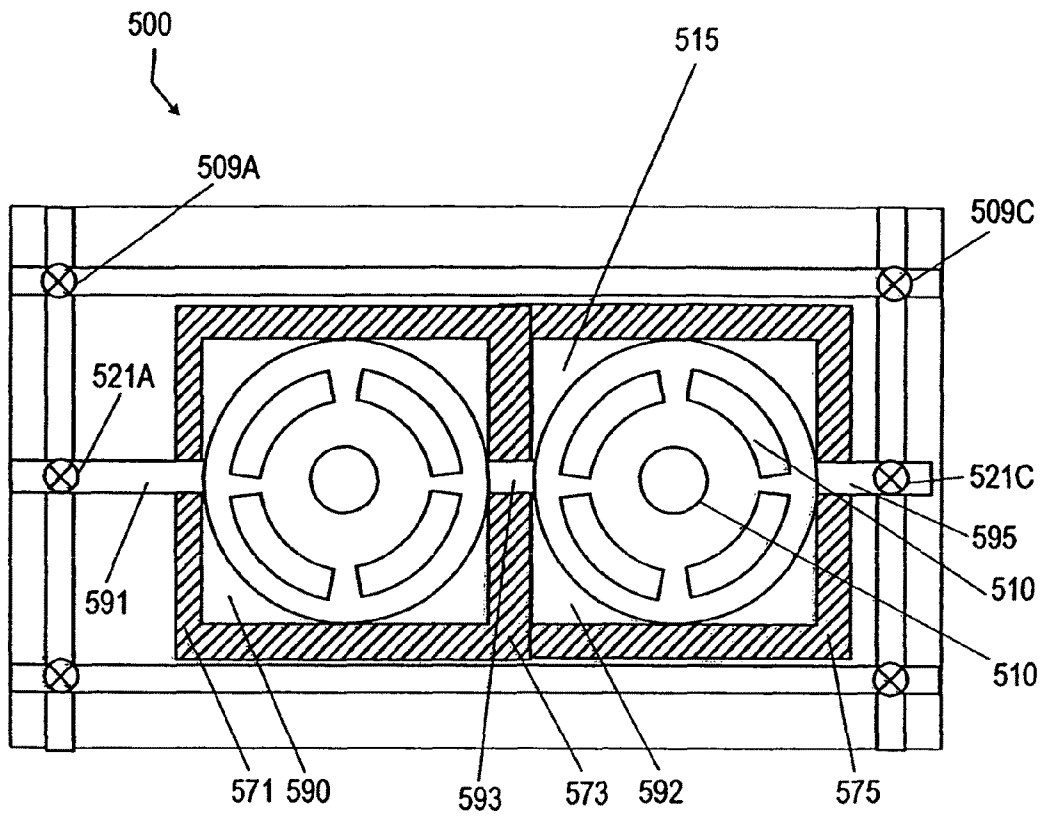


Fig. 5C

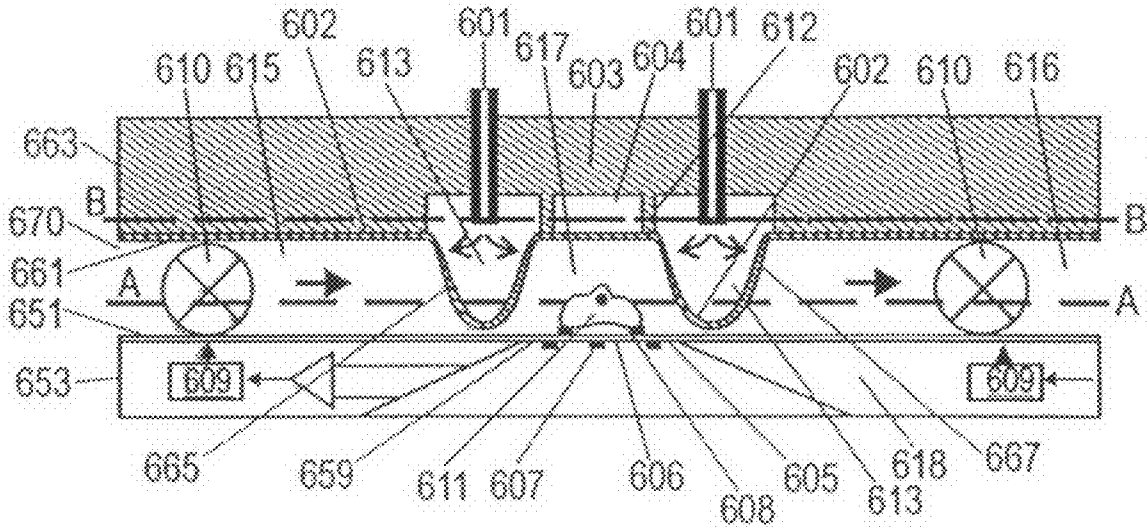


Fig. 6A

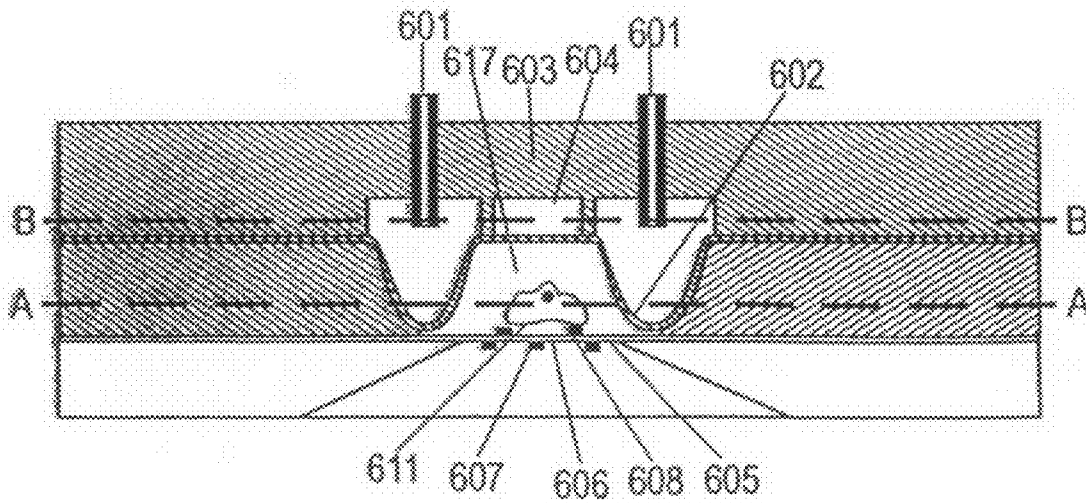


Fig. 6B

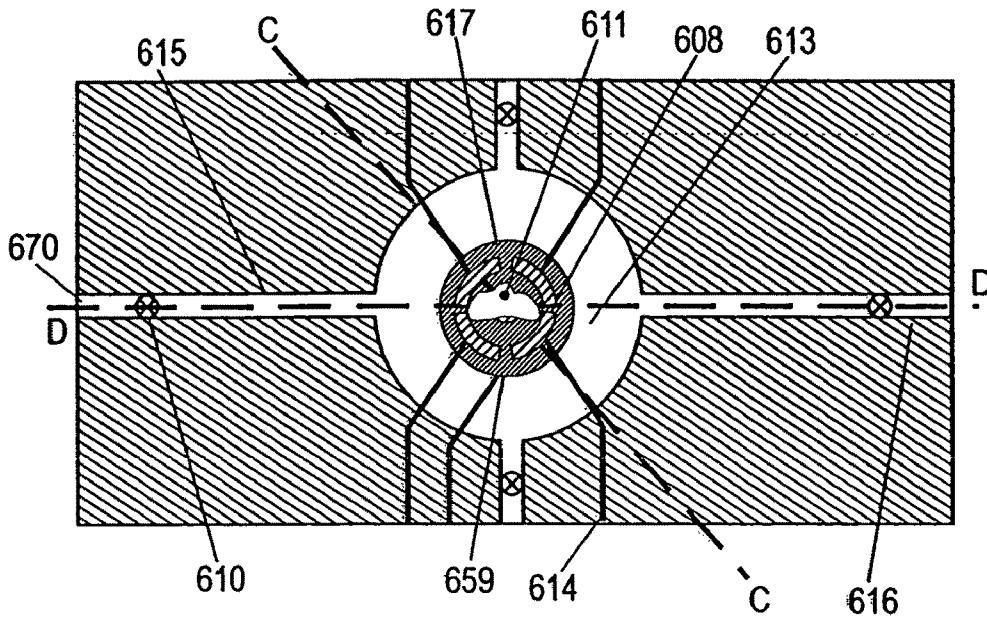


Fig. 6C

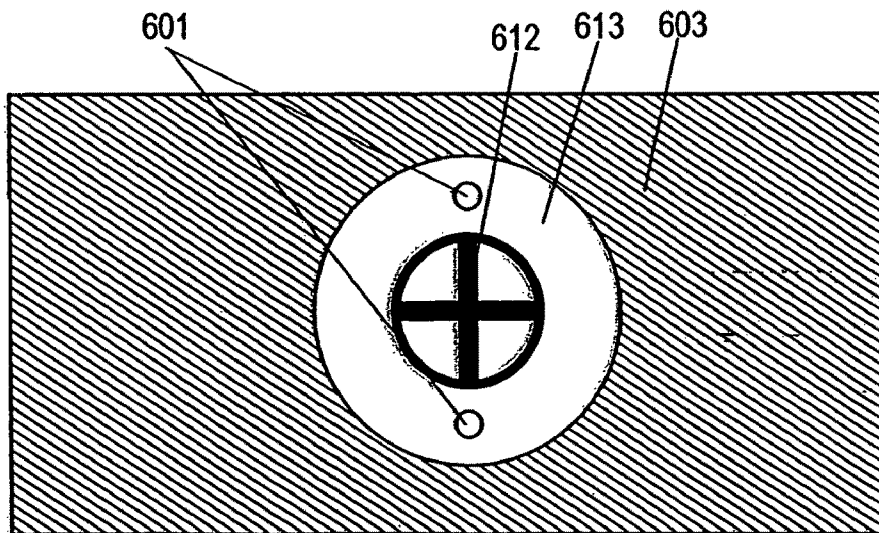


Fig. 6D

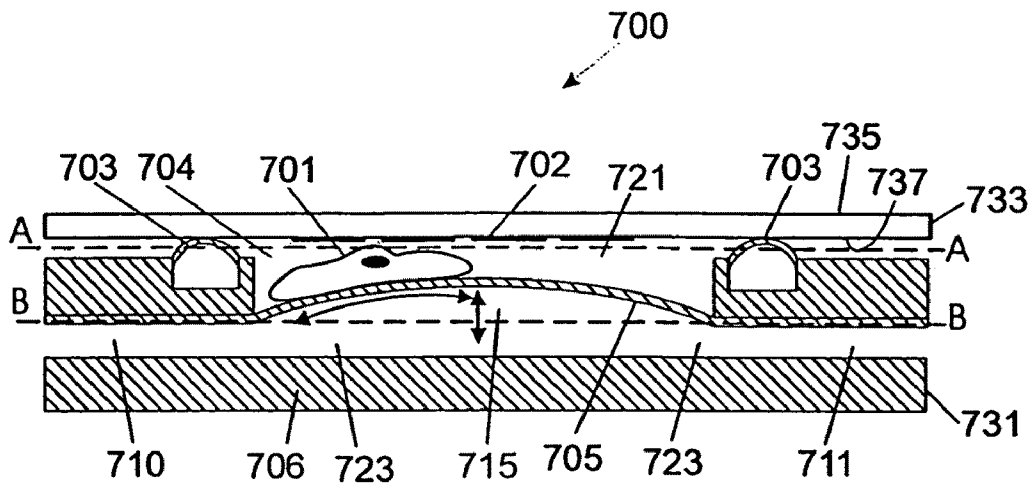


Fig. 7A

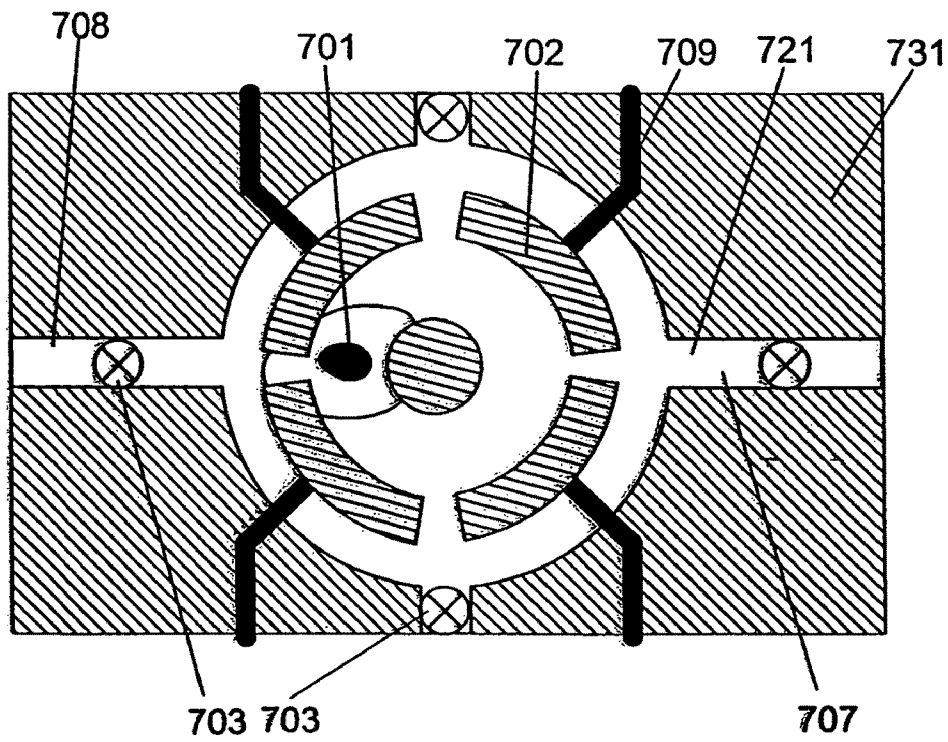


Fig. 7B

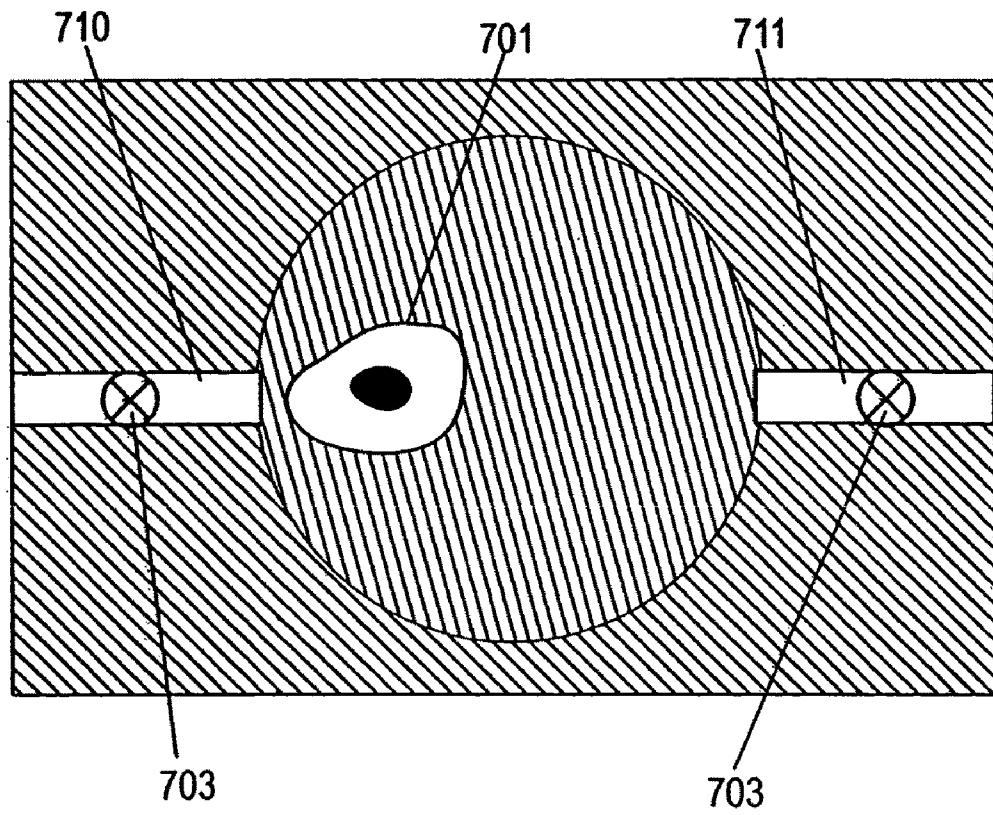


Fig. 7C

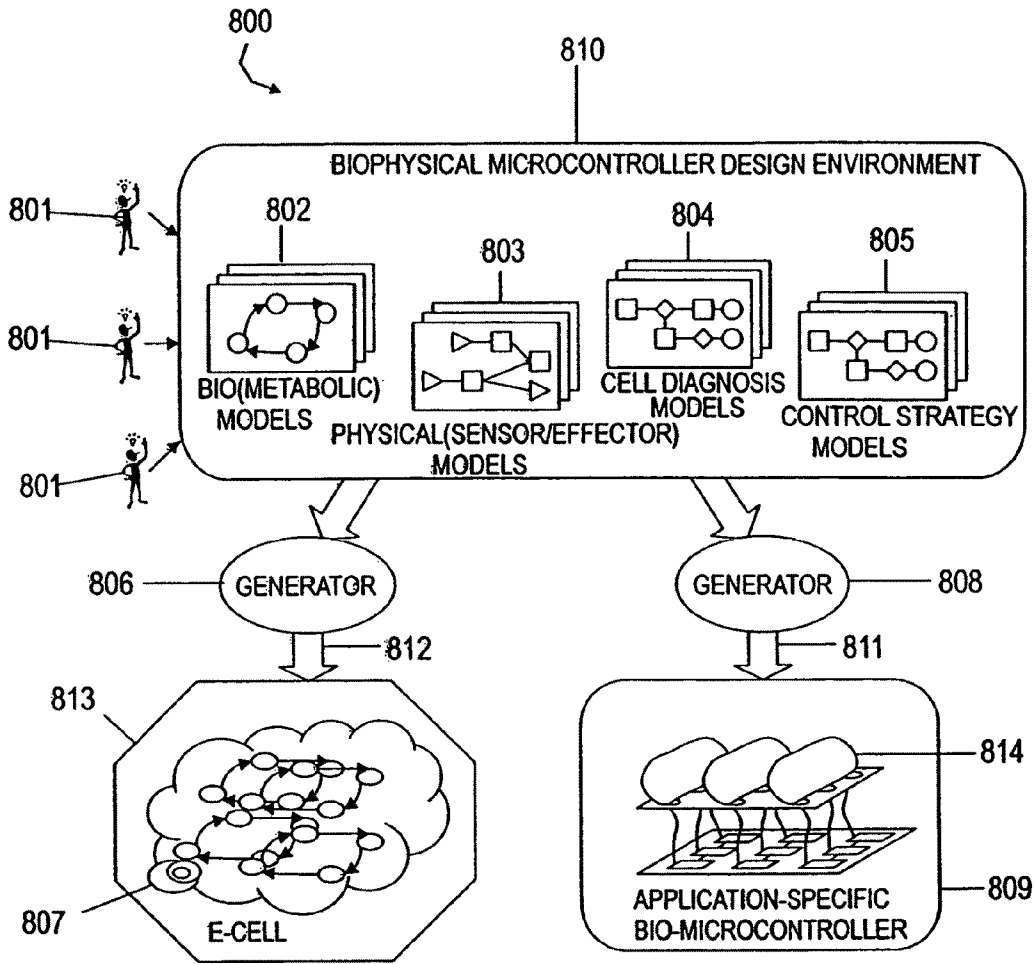
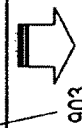
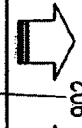
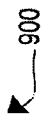


Fig. 8

| DEVICE  |                 | MEAS  | AGENTS           |                  |                  |
|---------|-----------------|-------|------------------|------------------|------------------|
|         |                 |       | RICIN            | VX               | UNKNOWN          |
| 901     | PICOCALORIMETER | TEMP  | LEV + 5%, SNR 20 | LEV - 10%, SNR 3 |                  |
|         |                 | pO2   |                  | LEV 10%, SNR 3   | LEV 10%, SNR 3   |
|         | NANOBIOREACTOR  | Redox | SLOPE > SNR 20   | SLOPE > 20 SNR 5 | SLOPE < 0 SNR 2  |
|         |                 | pH    | LEV + 25%, SNR 4 | LEV + 10%, SNR 4 | LEV + 25%, SNR 4 |
| NEURON  |                 | Na+   | LEV + 10 SNR 3   | LEV - 10 SNR 3   | LEV + 10 SNR 3   |
|         |                 | K+    | LEV + 15 SNR 3   | LEV + 5 SNR 3    | LEV - 15 SNR 3   |
|         |                 | Ca++  | LEV + 8 SNR 2    | LEV + 8 SNR 2    | LEV + 8 SNR 2    |
|         |                 | GFP   | INT + SNR2       | INT + SNR2       | INT - SNR2       |
| 902     | OPTICAL TAGS    | &     |                  |                  |                  |
|         |                 | FP    | INT - SNR4       | INT + SNR4       | INT - SNR2       |
|         |                 | DNA   | POS SNR 7        | POS SNR 7        | POS SNR 2        |
|         |                 | RNA   | NEG SNR 2        | NEG SNR 2        | NEG SNR 2        |
|         |                 |       | LEV - SNR4       | LEV - SNR4       | LEV - SNR4       |
|         |                 |       | LEV - SNR2       | LEV - SNR2       | LEV - SNR2       |
|         |                 |       | LEV - SNR4       | LEV - SNR4       | LEV - SNR4       |
|         |                 |       | LEV - SNR6       | LEV - SNR6       | LEV - SNR6       |
|         |                 |       | LEV - SNR4       | LEV - SNR4       | LEV - SNR4       |
|         |                 |       | LEV - SNR2       | LEV - SNR2       | LEV - SNR2       |
| MYOCYTE |                 |       | LEV - SNR6       | LEV - SNR6       | LEV - SNR6       |
|         |                 |       | LEV - SNR4       | LEV - SNR4       | LEV - SNR4       |
|         |                 |       |                  |                  |                  |
|         |                 |       |                  |                  |                  |

Fig. 9



901

902

903

904

905

900

906

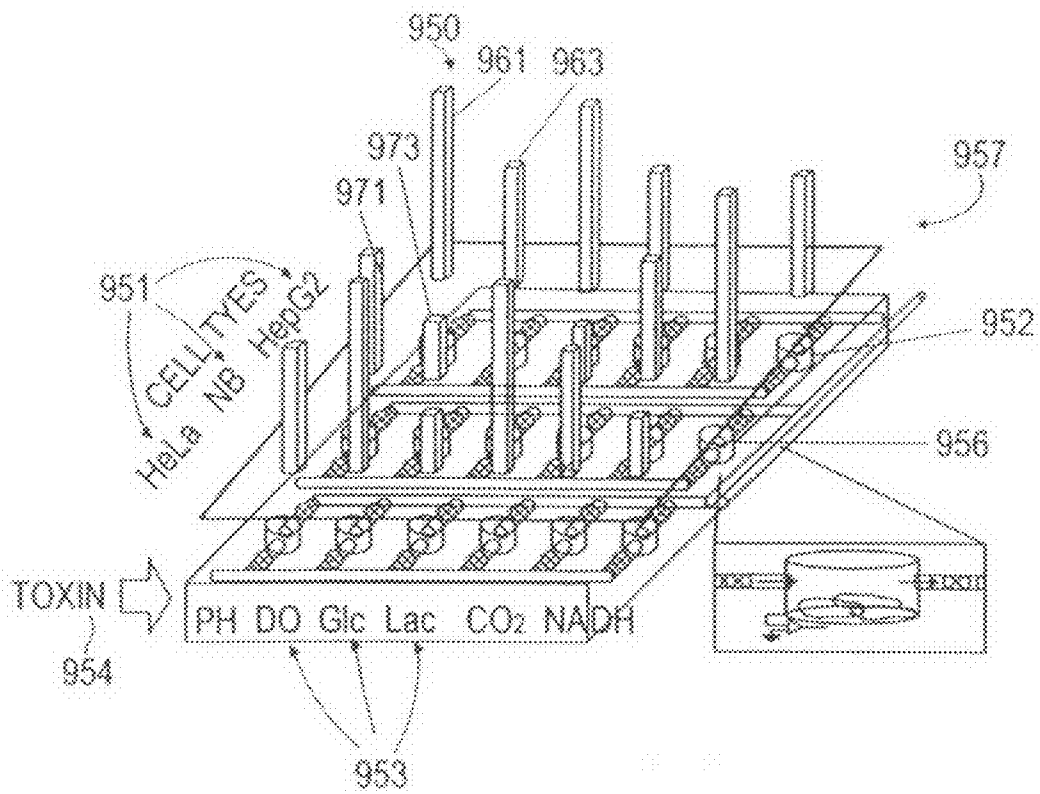


Fig. 9A



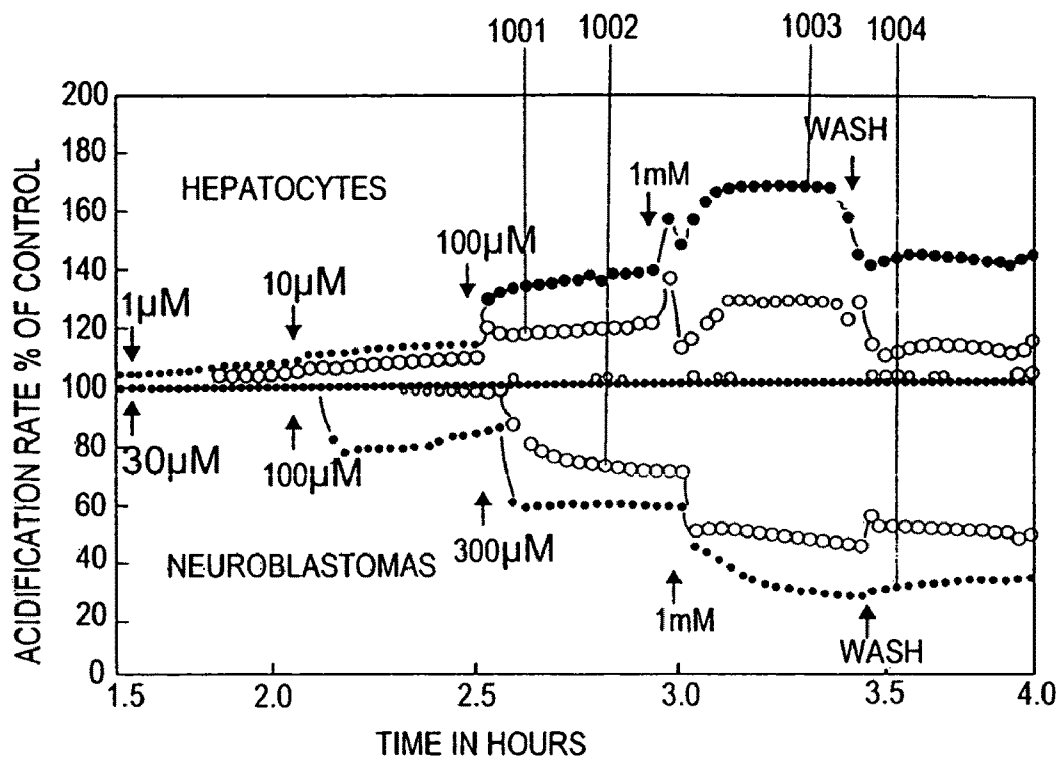


Fig. 10

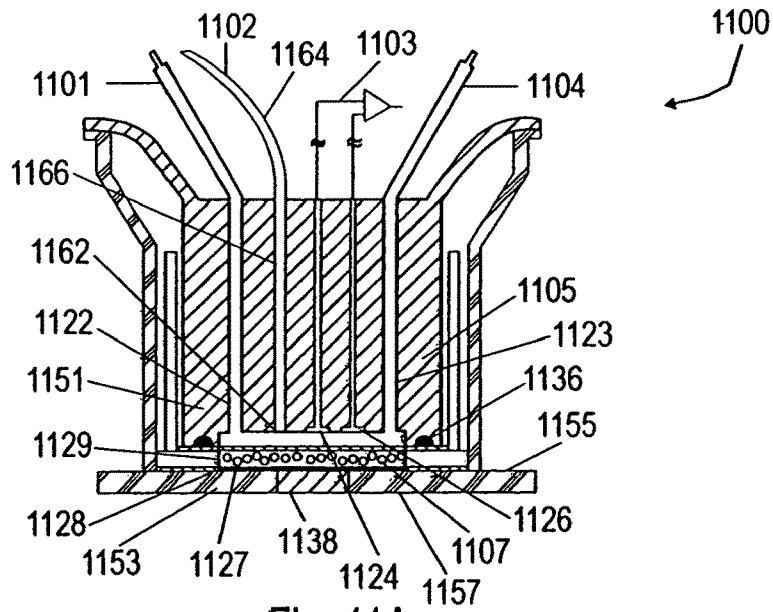


Fig. 11A

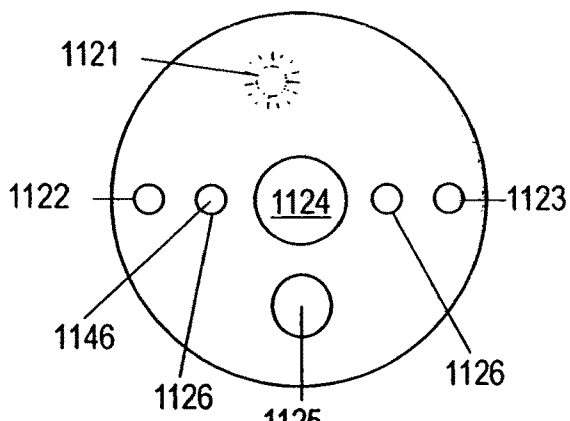


Fig. 11B

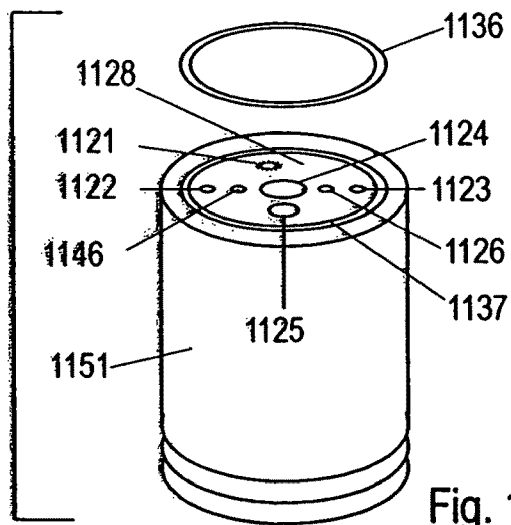


Fig. 11C

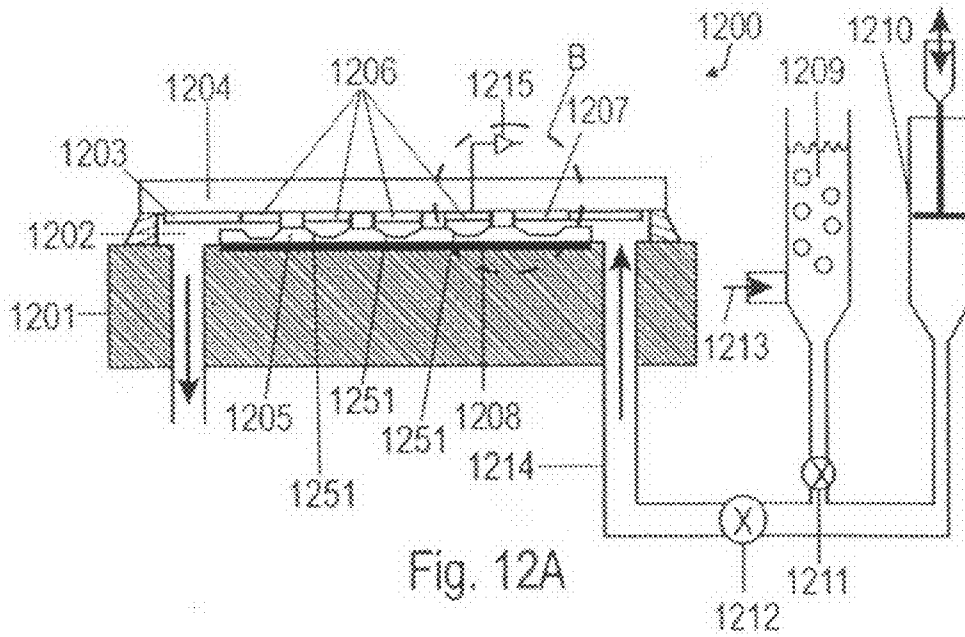


Fig. 12A

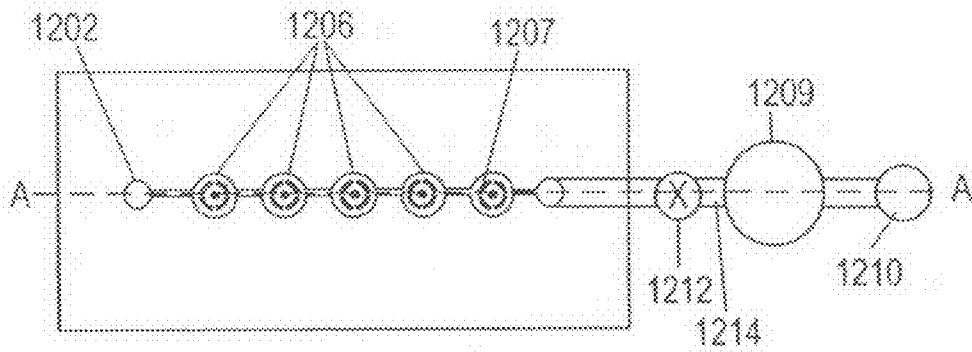


Fig. 12B

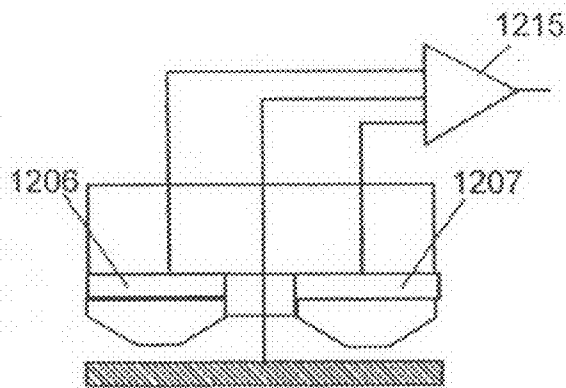


Fig. 12C

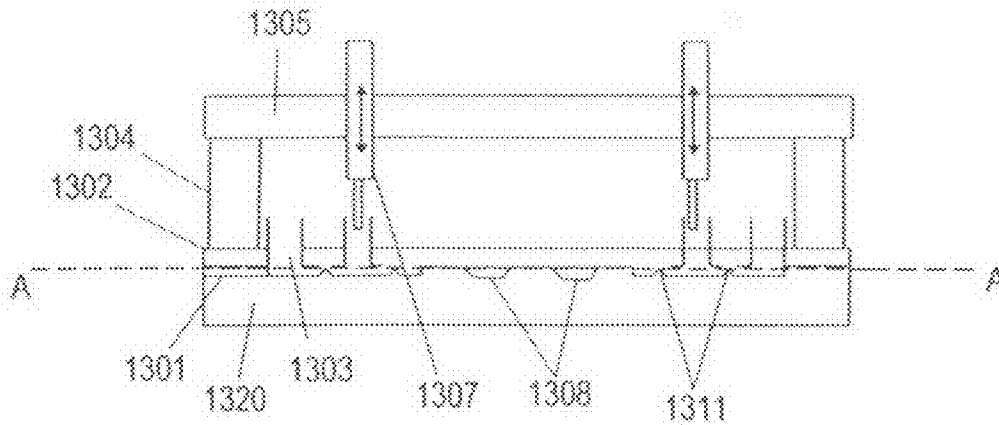


FIG. 13A

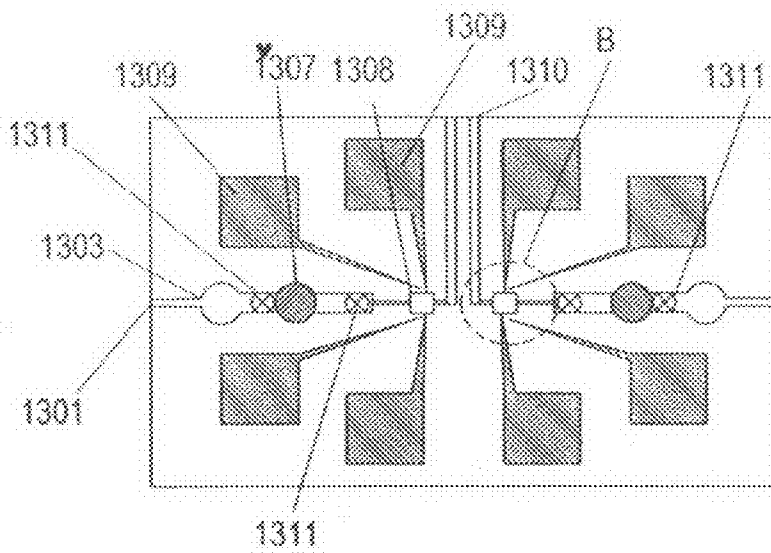


FIG. 13B

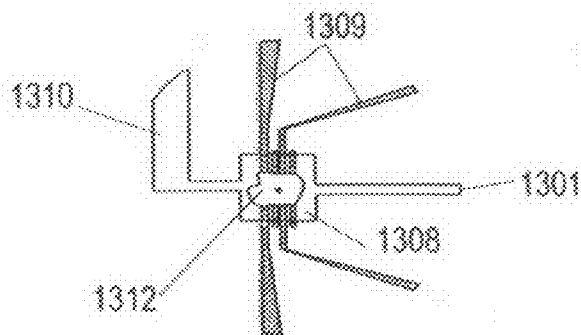


FIG. 13C

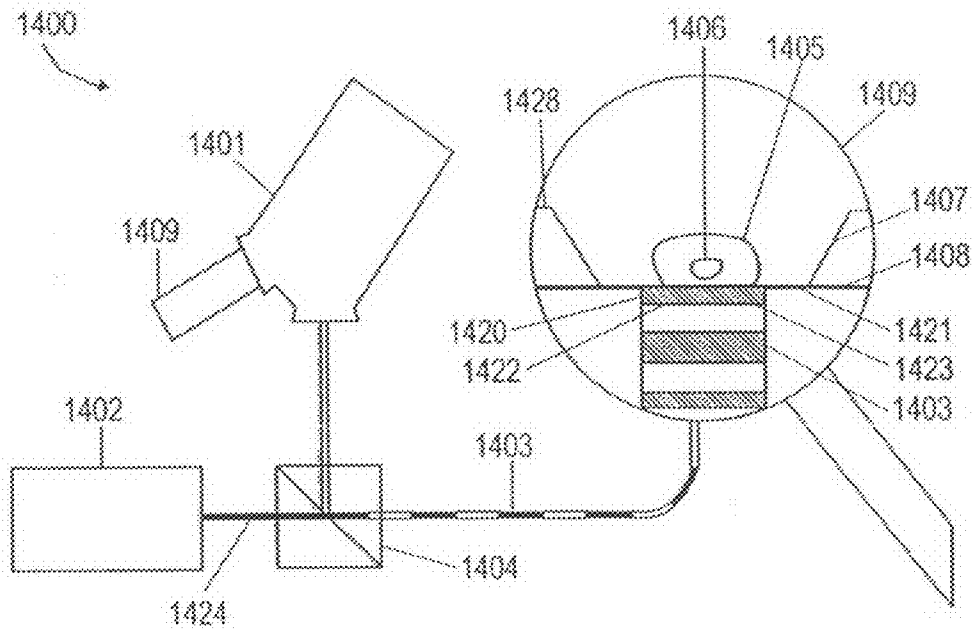


Fig. 14

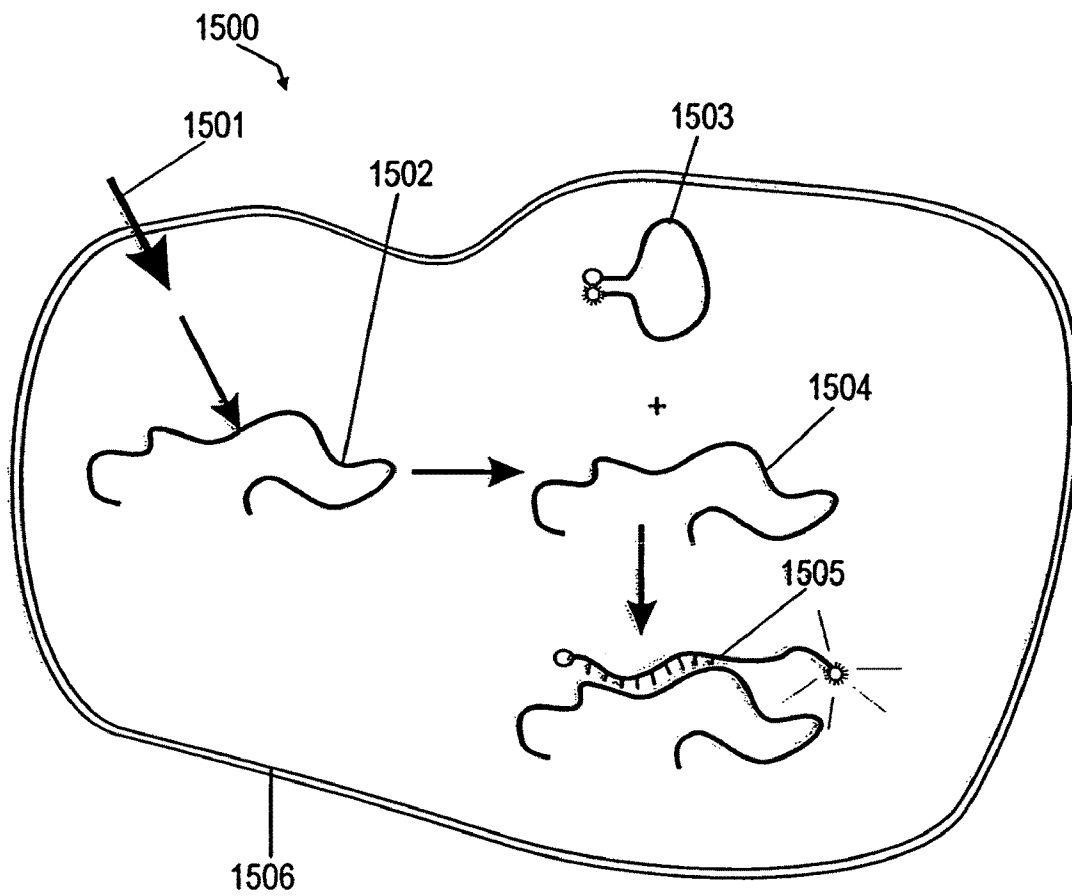


Fig. 15

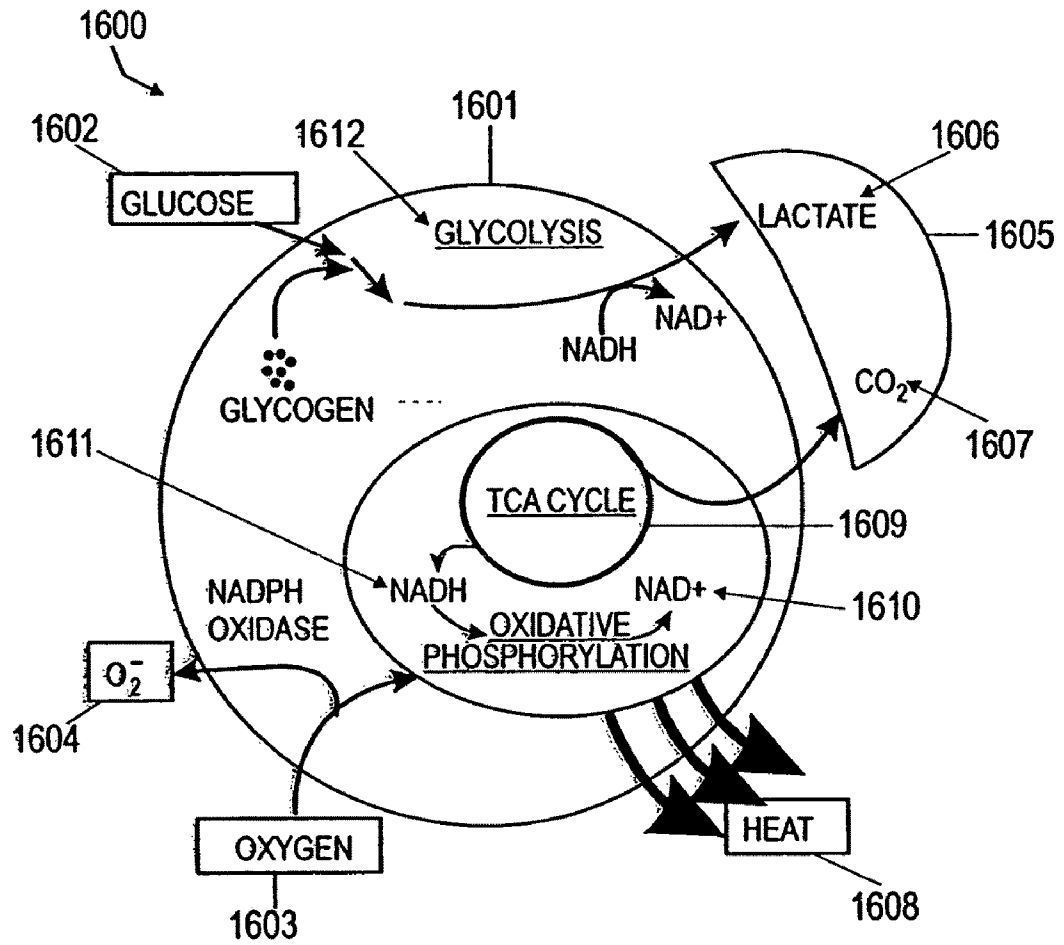


Fig. 16

1700  
↙

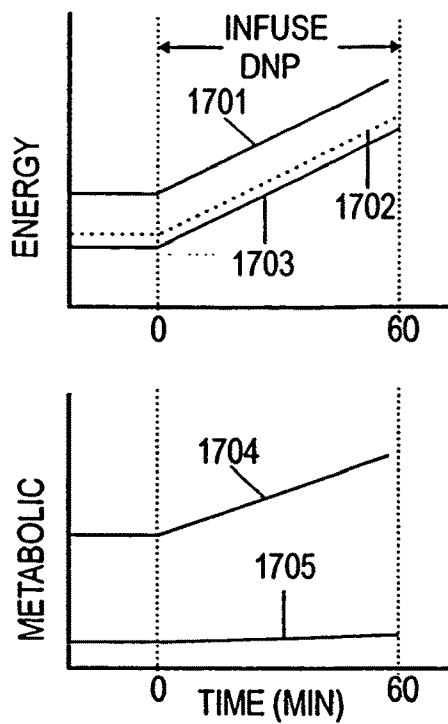


Fig. 17A

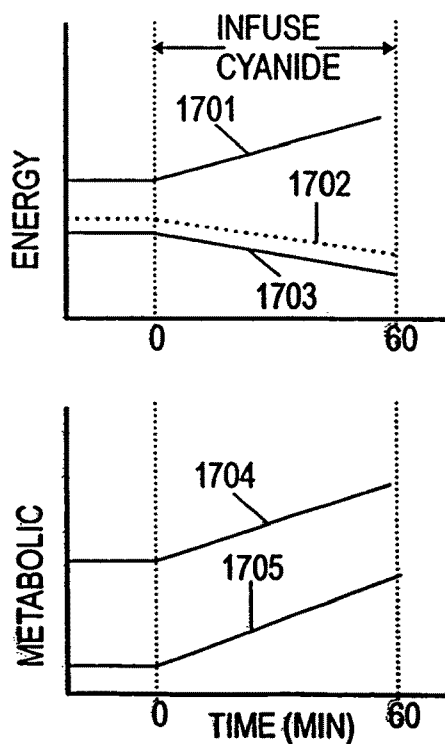


Fig. 17B



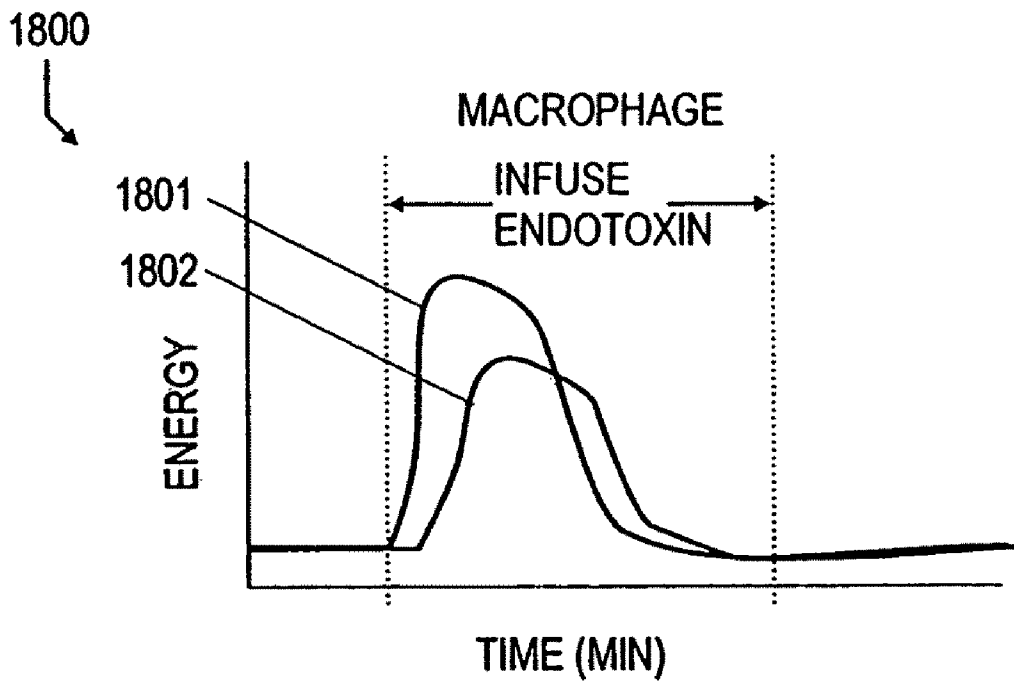


Fig. 18A

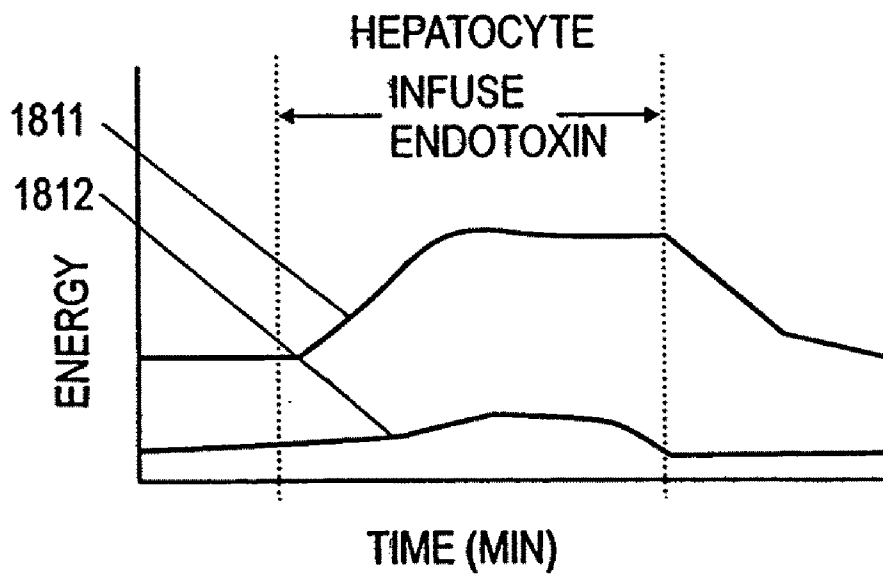


Fig. 18B

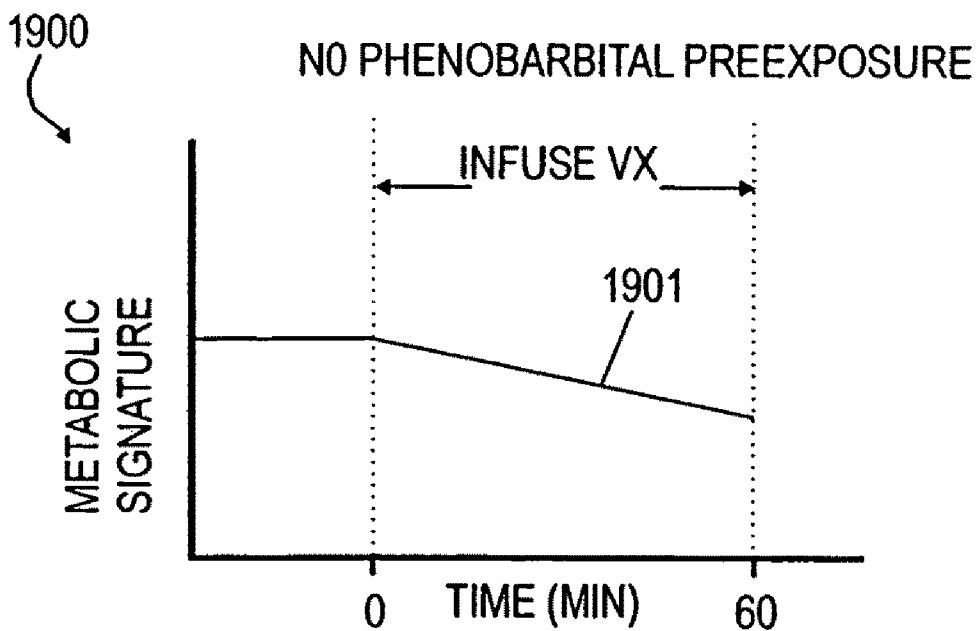


Fig. 19A

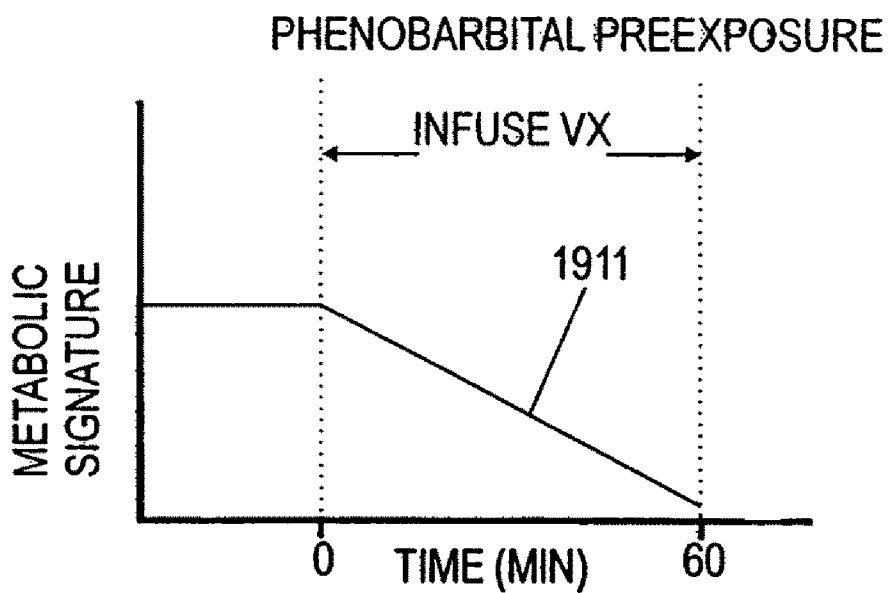


Fig. 19B

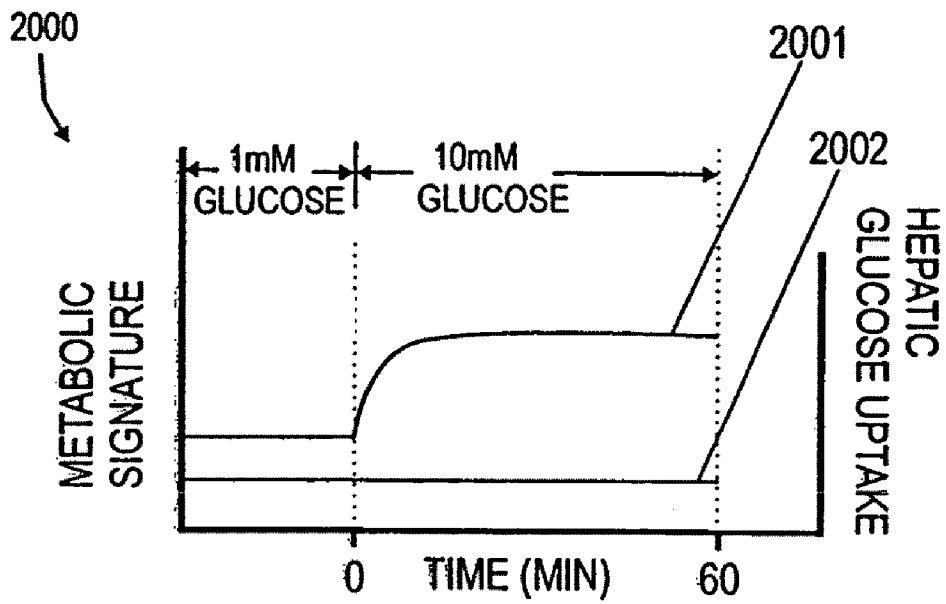


Fig. 20

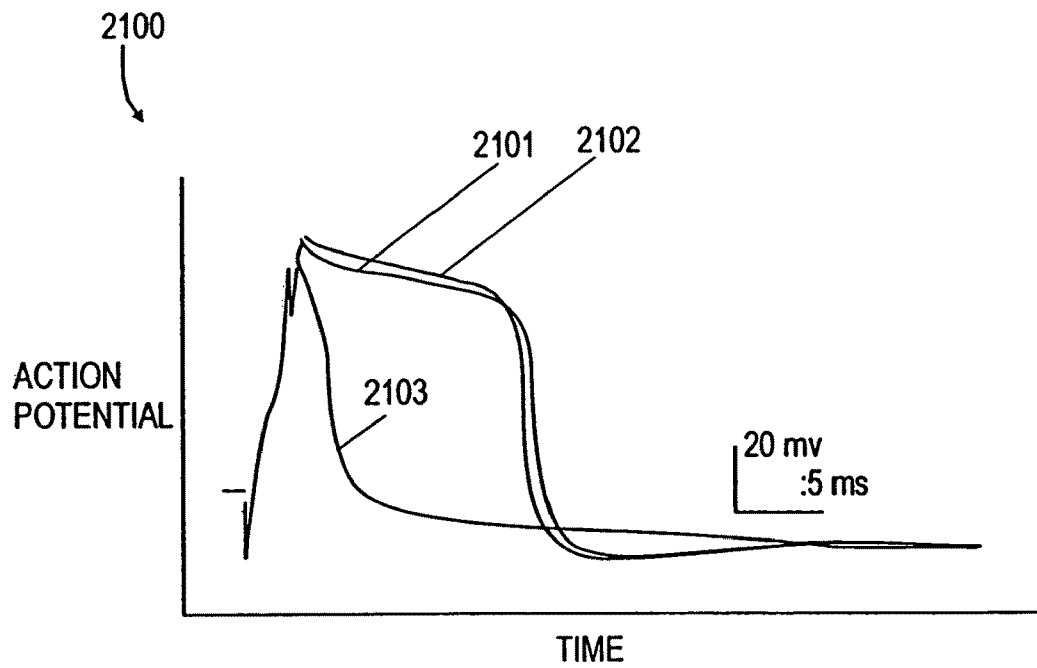


Fig. 21

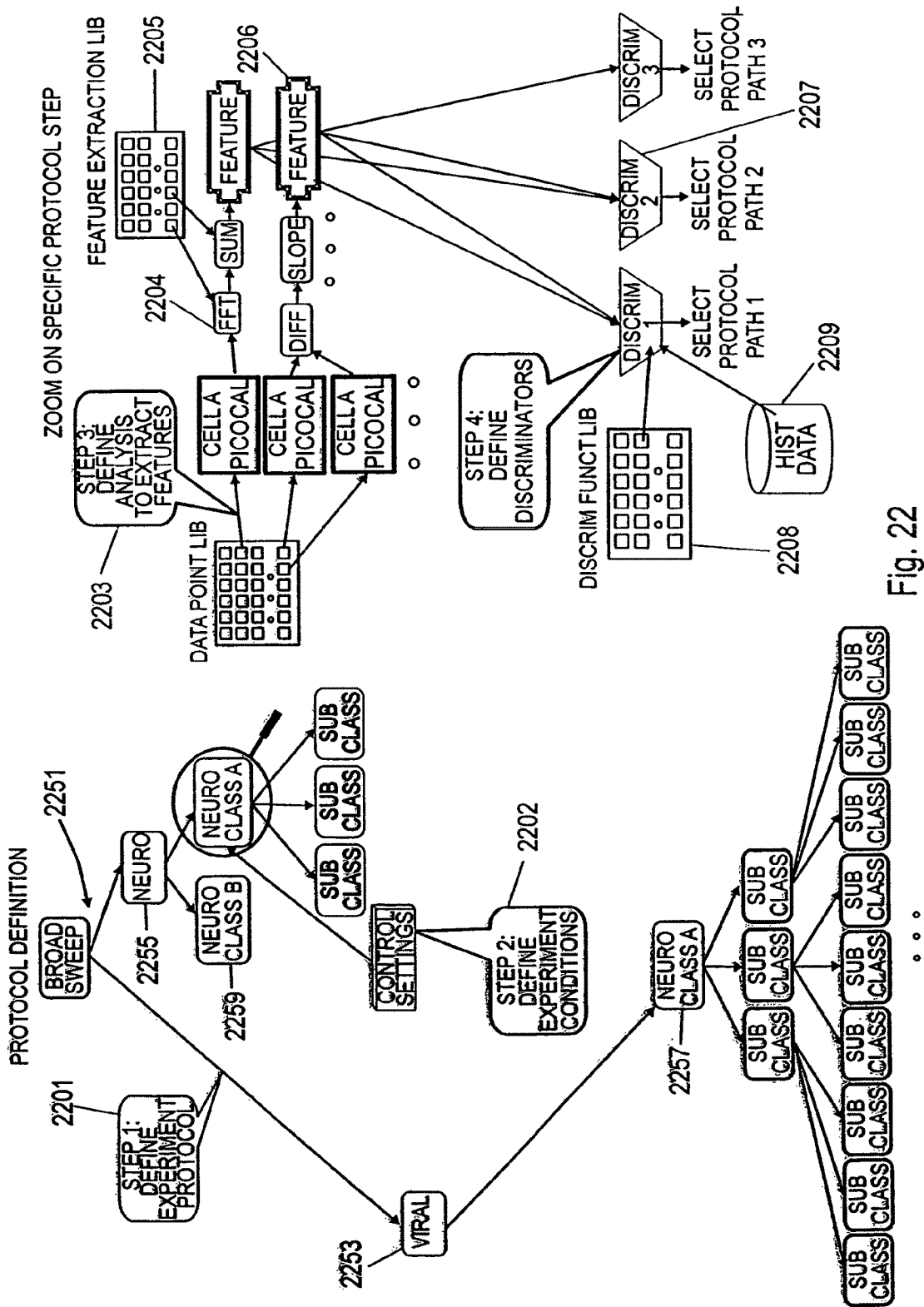


Fig. 22

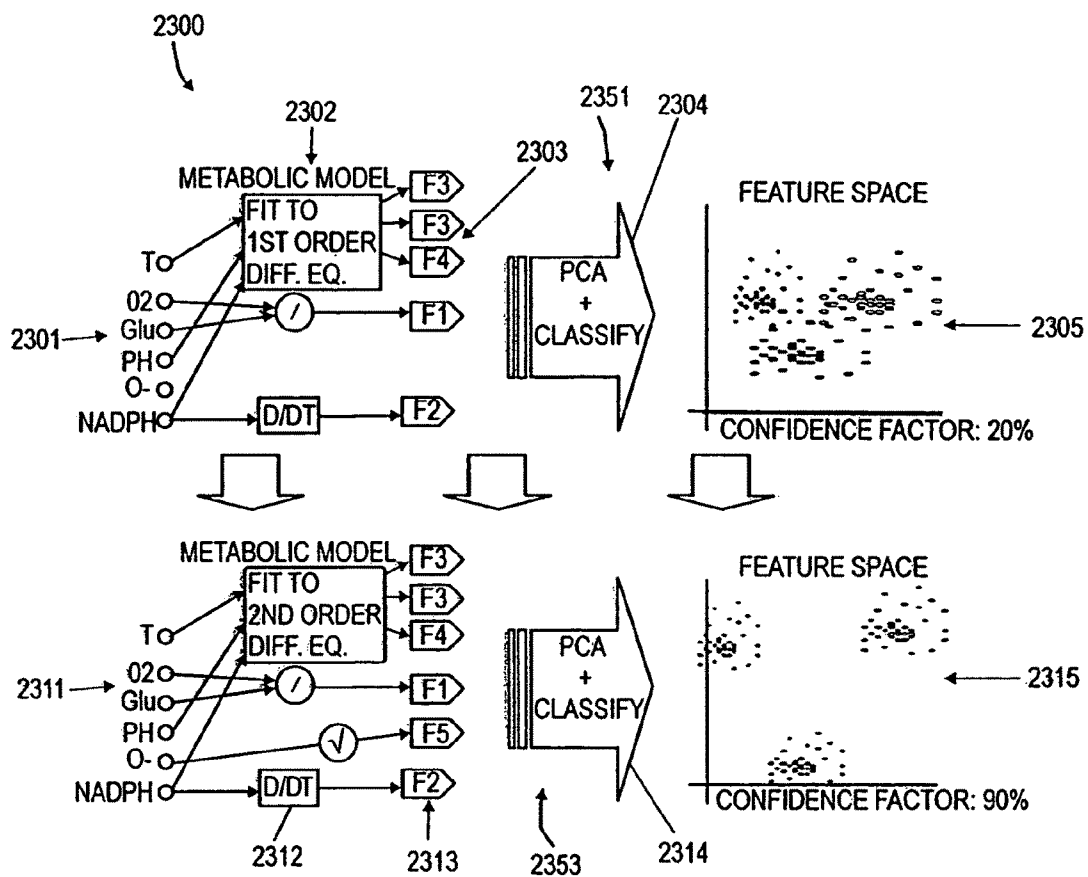


Fig. 23

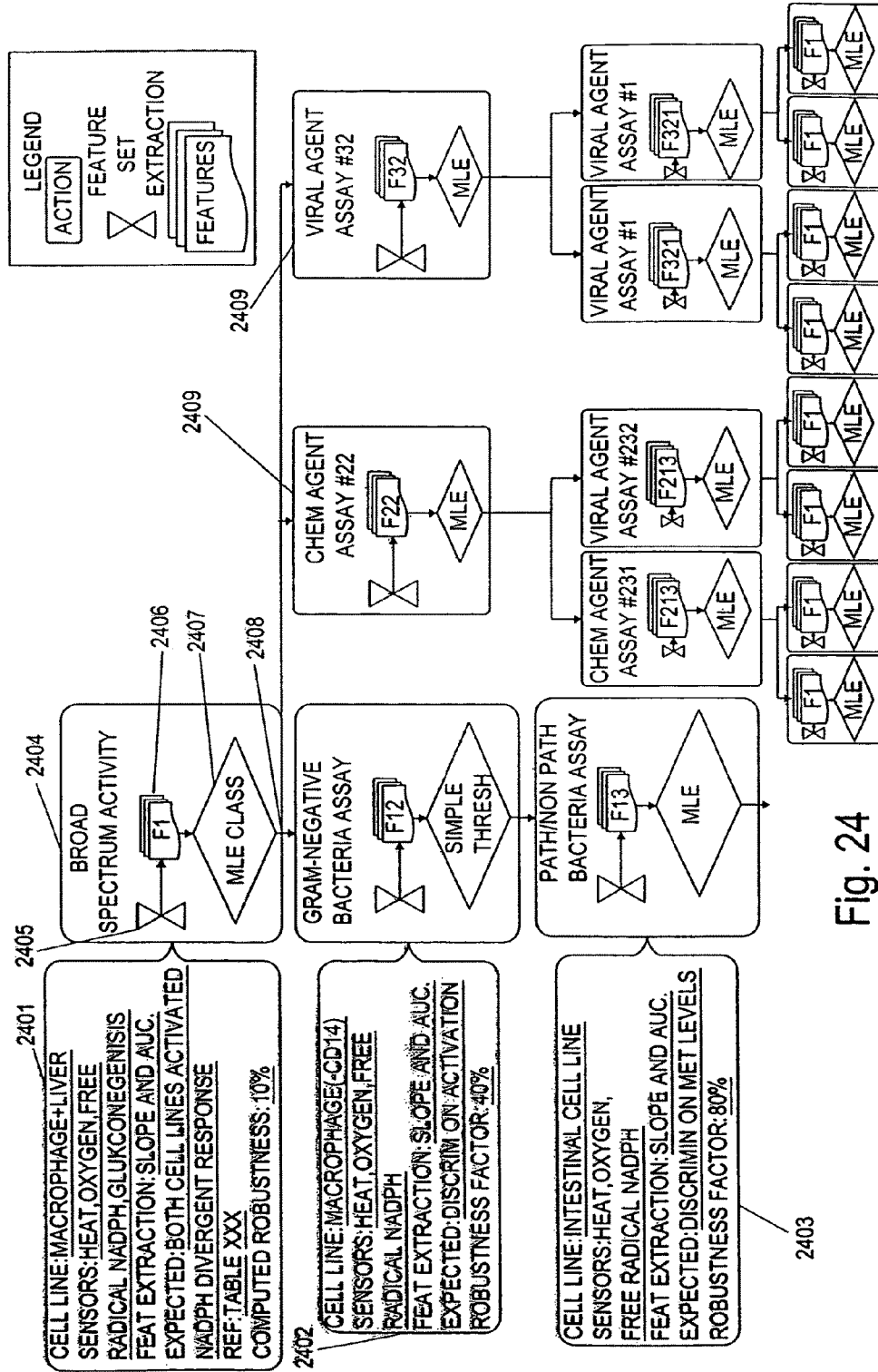


Fig. 24

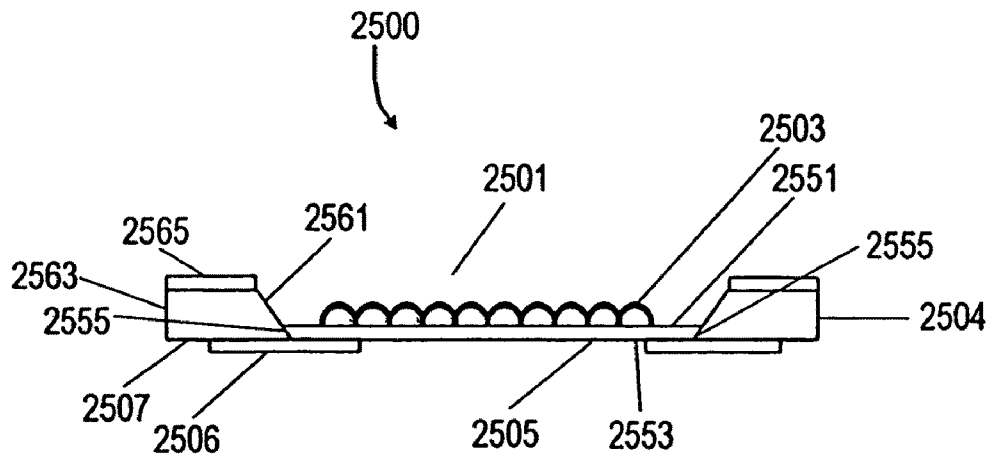


Fig. 25A

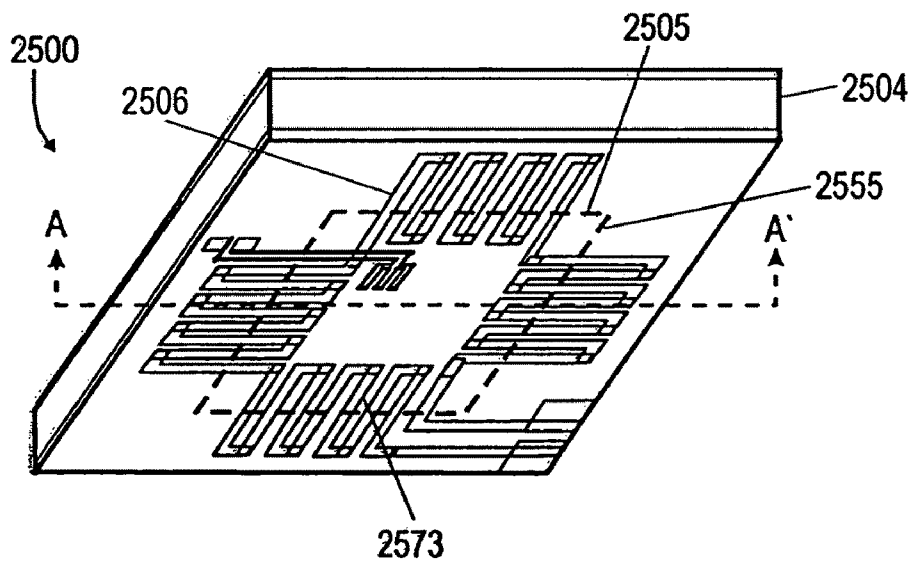


Fig. 25B



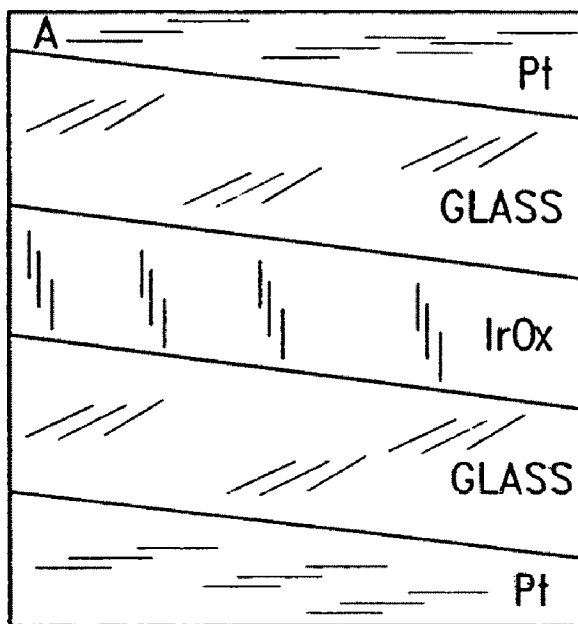


FIG.26A

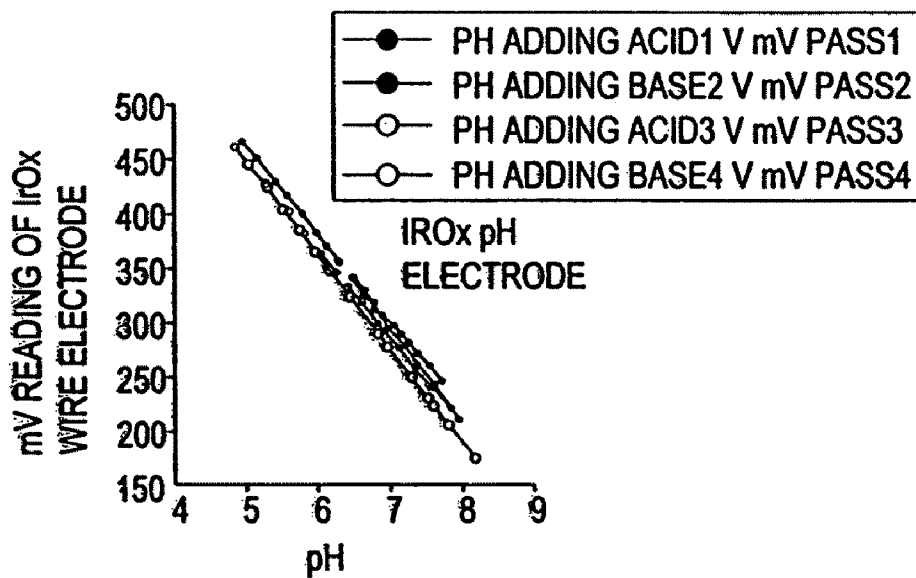


FIG.26B

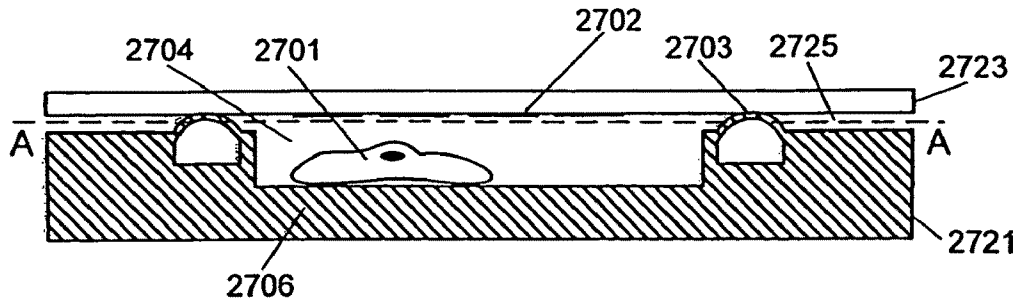


Fig. 27A

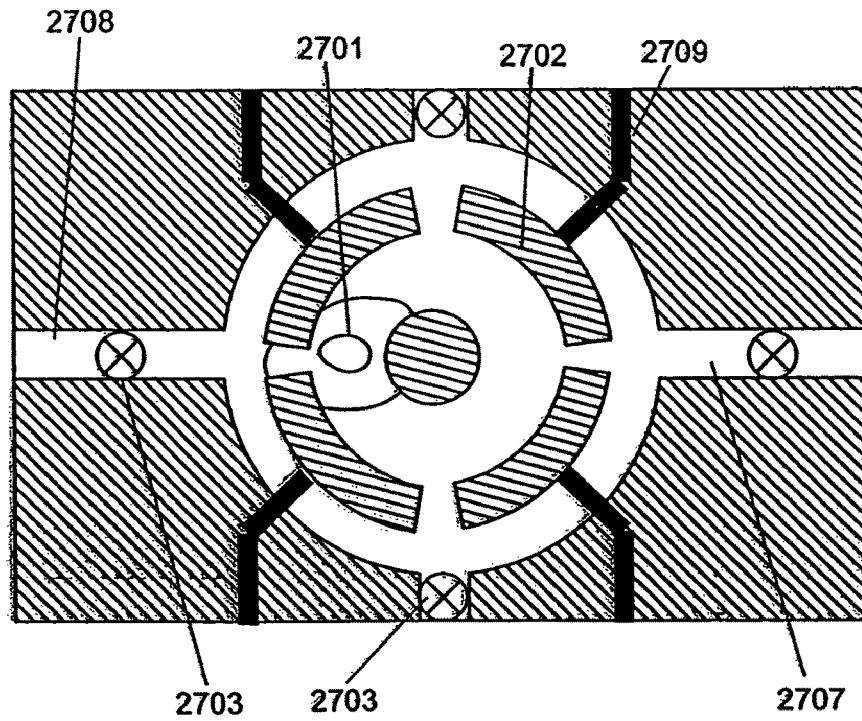


Fig. 27B

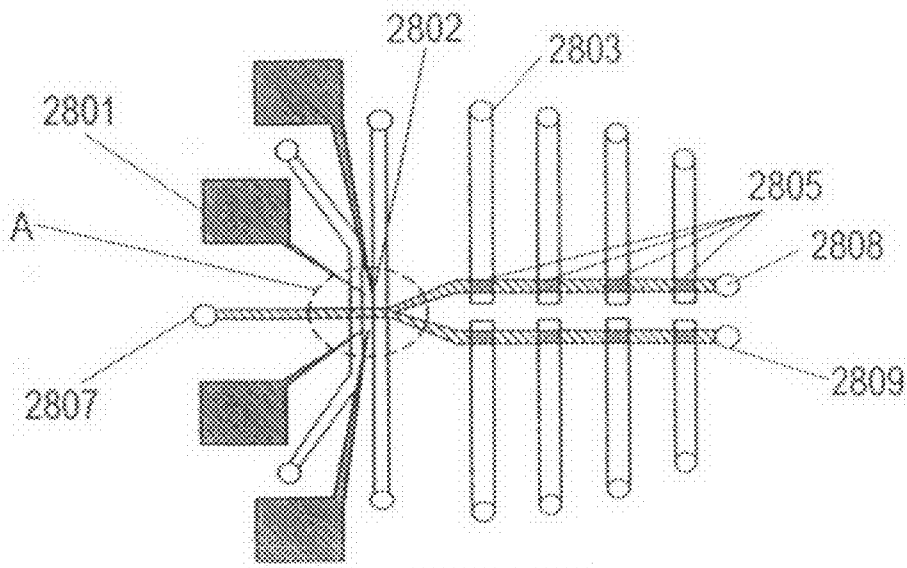


FIG. 28A

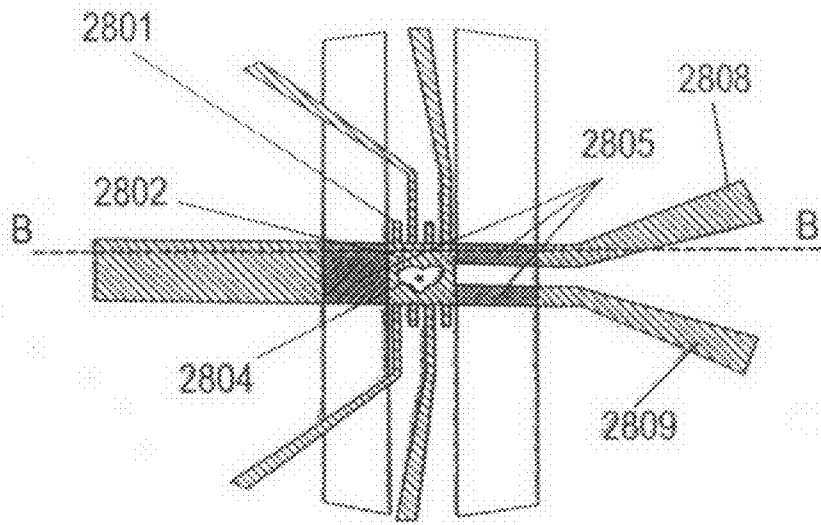


FIG. 28B

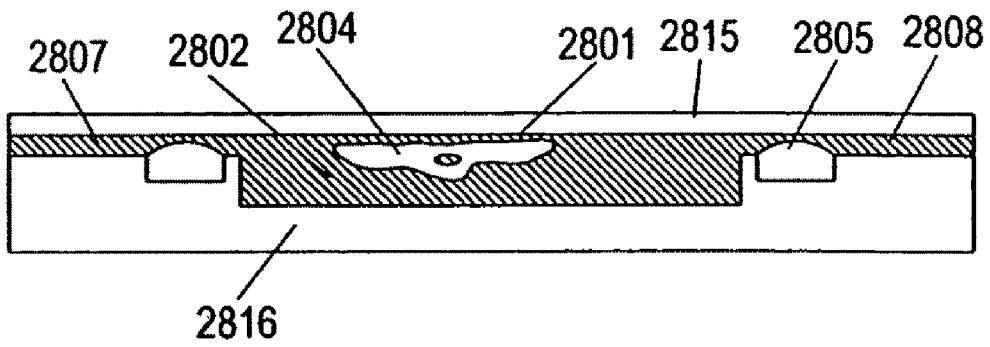


FIG.28C

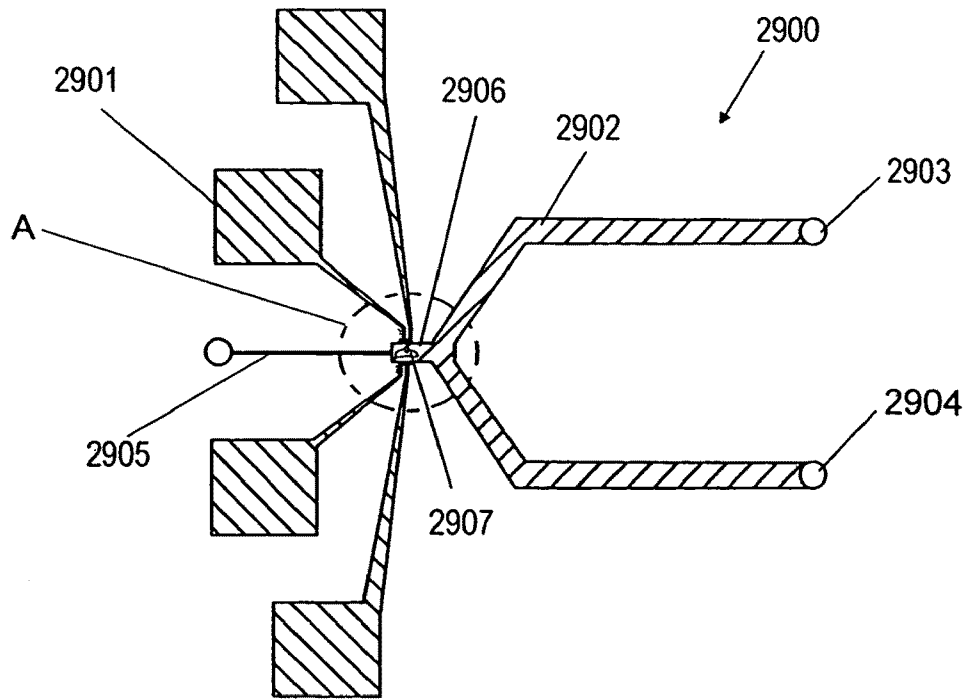


Fig. 29A

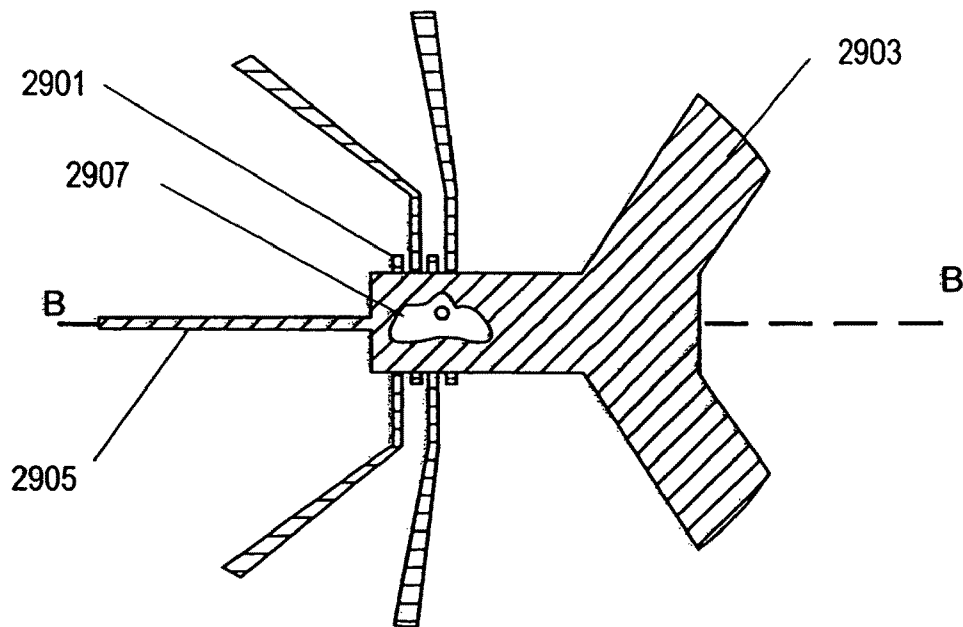


Fig. 29B

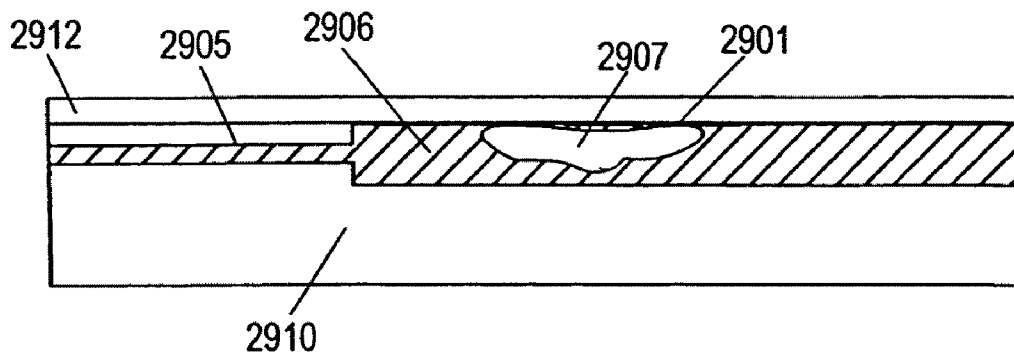


Fig. 29C

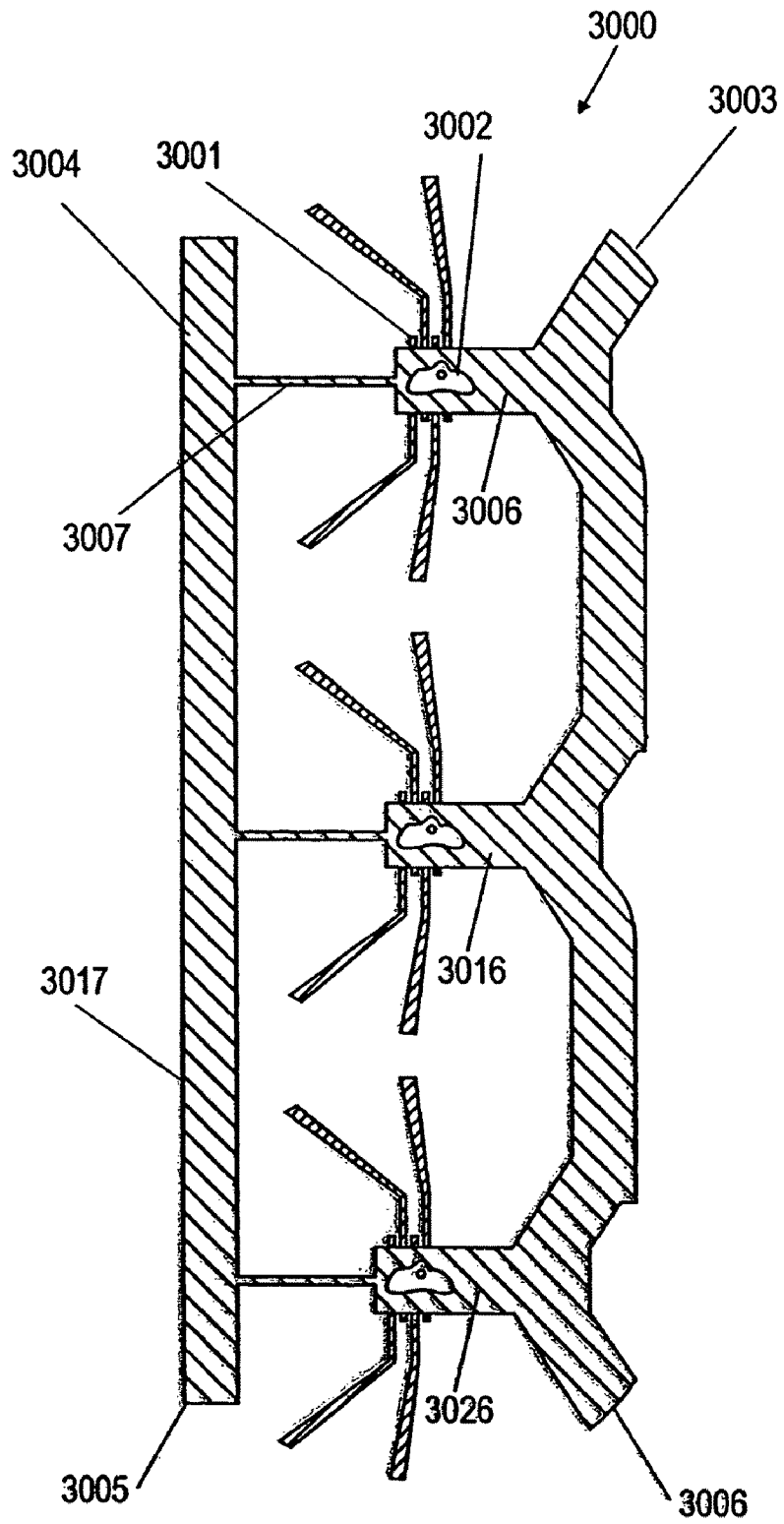


Fig. 30

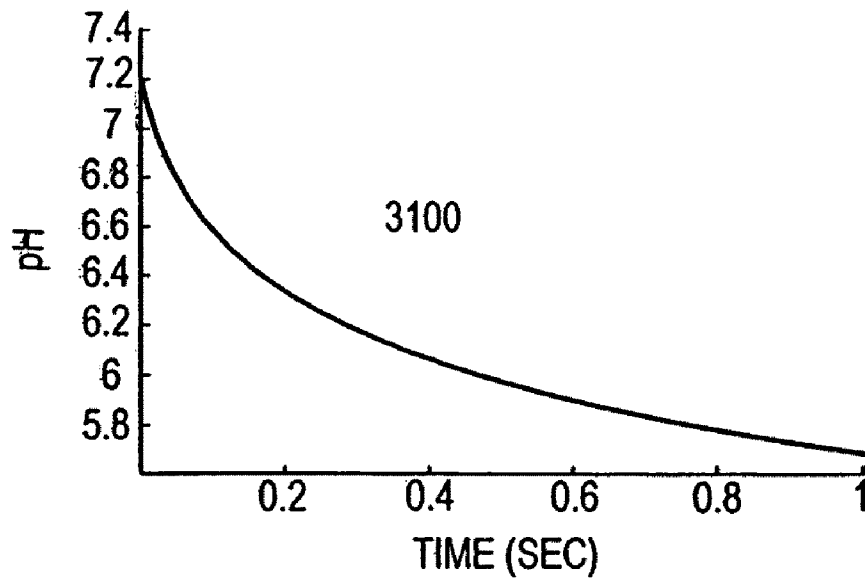


Fig. 31A

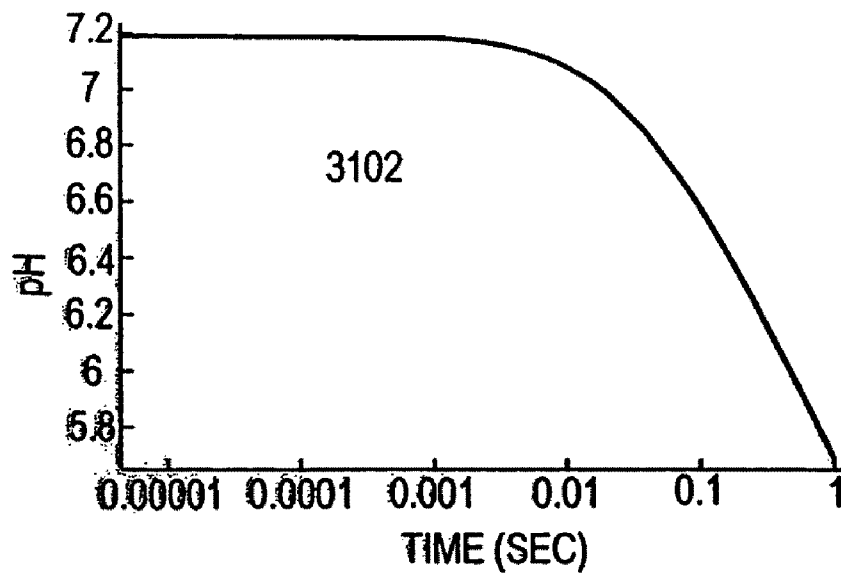


Fig. 31B



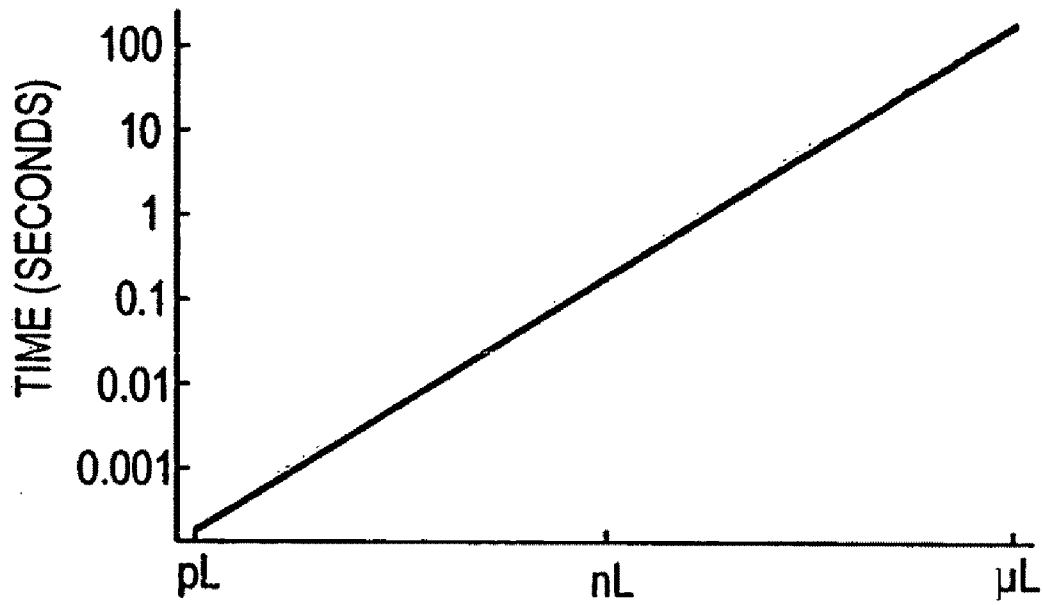


Fig. 31C

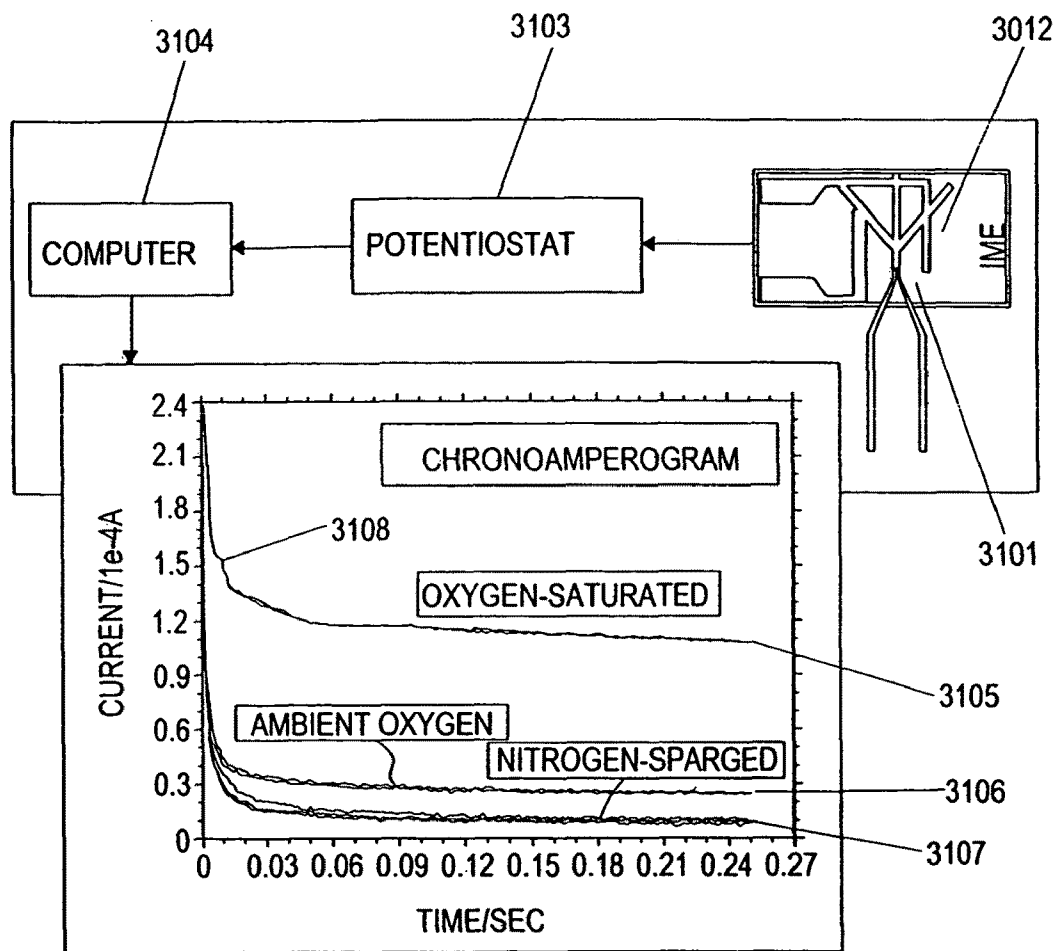


Fig. 31D

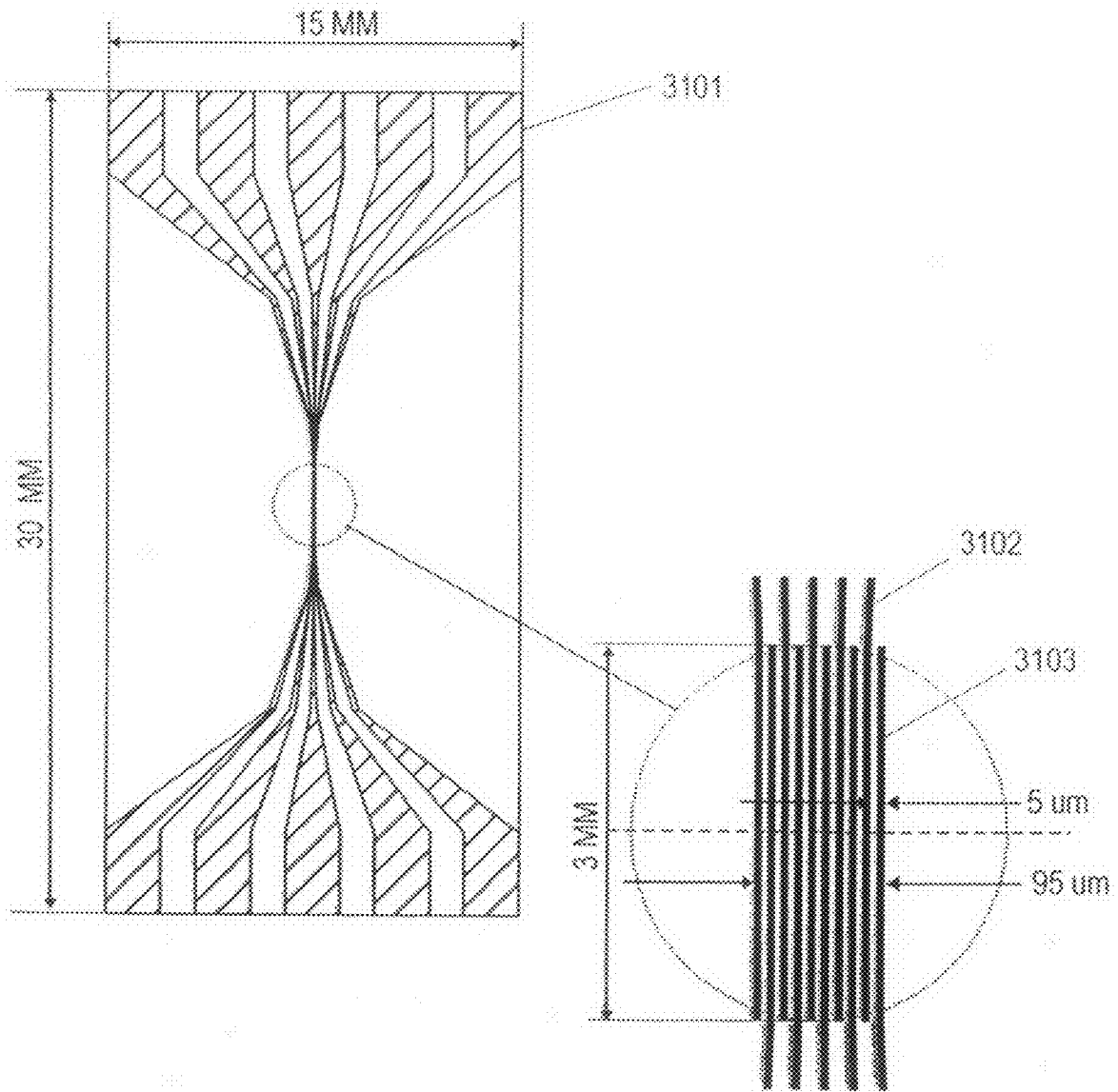


Fig. 31E

## DEVICE AND METHODS FOR MONITORING THE STATUS OF AT LEAST ONE CELL

### STATEMENT OF FEDERALLY-SPONSORED RESEARCH

This invention was made with Government support under Contract No. N66001-01-C-8064 awarded by the Defense Advanced Research Projects Administration. The Government has certain rights in the invention.

### CROSS-REFERENCE TO RELATED PATENT APPLICATIONS

This application is a divisional application of, and claims benefit of U.S. patent application Ser. No. 10/755,639, filed Jan. 12, 2004, entitled "Device and Methods for Monitoring the Status of at Least One Cell," by John P. Wikswo, Franz J. Baudenbacher, and Owen McGuinness, which status is issued as U.S. Pat. No. 7,435,578, the disclosure of which is hereby incorporated herein in its entirety by reference, and which was filed as a PCT international patent application Aug. 6, 2002 and claims benefit of Provisional Application No. 60/310,652, filed Aug. 6, 2001, the disclosure of which is hereby incorporated herein in its entirety by reference.

Some references, which may include patents, patent applications and various publications, are cited and discussed in the description of this invention. The citation and/or discussion of such references is provided merely to clarify the description of the present invention and is not an admission that any such reference is "prior art" to the invention described herein. All references cited and discussed in this specification are incorporated herein by reference in their entirety and to the same extent as if each reference was individually incorporated by reference.

### FIELD OF THE INVENTION

The present invention generally relates to an apparatus and methods for using biological material to discriminate an agent. More particularly, the present invention relates to an apparatus and methods that utilize a matrix of biological signatures. In one embodiment, the matrix has a plurality of elements and a dimension of  $N \times M$ , where  $N$  is the total number of the plurality of cells and  $M$  is the total number of the plurality of measurable quantities. Thus, the matrix has in total  $N \times M$  elements, where each element represents a biological signature of one of a plurality of cells in response to an agent, and each biological signature is one of a plurality of measurable quantities. The present invention comprises a method that includes the steps of constructing such a matrix of biological signatures, exposing at least one of the plurality of cells to an agent, measuring the measurable quantities of the at least one of the plurality of cells responsive to the agent, comparing the measured measurable quantities of the at least one of the plurality of cells responsive to the agent with the corresponding biological signatures of the matrix of biological signatures, and identifying the agent from the comparison. The measured measurable quantities can be stored for further processing, analyzing, feed-backing, or the like.

The invention also relates to an apparatus for using biological material to discriminate an agent. In one embodiment, the apparatus includes means for constructing a matrix of biological signatures having a plurality of elements, wherein each element represents a biological signature of one of a plurality of cells in response to an agent, each biological signature being one of a plurality of measurable quantities,

and wherein the matrix has a dimension of  $N \times M$ ,  $N$  being the total number of the plurality of cells and  $M$  being the total number of the plurality of measurable quantities; means for exposing at least one of the plurality of cells to an agent. The apparatus further includes means for measuring the measurable quantities of the at least one of the plurality of cells responsive to the agent, means for comparing the measured measurable quantities of the at least one of the plurality of cells responsive to the agent with the corresponding biological signatures of the matrix of biological signatures, and means for identifying the agent from the comparison.

Certain embodiments of the present invention comprise apparatus and methods for monitoring the status of a cell that is metabolically active, wherein each metabolic activity of the cell is characterized by a characterization time. More particularly, the apparatus and methods comprise means and the step for measuring at least one metabolic activity of the cell at a time period shorter than a characterization time corresponding to the measured metabolic activity of the cell, respectively.

Certain other embodiments of the present invention comprise devices and methods for detecting the response of a plurality of cells to at least one analyte of interest. More particularly, the devices and methods comprise means and the steps for contacting the plurality of cells with a plurality of analytes of interest and simultaneously detecting the response of the plurality of cells to the plurality of analytes of interest, respectively.

Certain further embodiments of the present invention comprise devices and methods for device for monitoring status of at least one cell, wherein the cell has a membrane forming a substantially enclosed structure and defining an intracellular space therein. More particularly, the devices and methods comprise means and the steps for providing a medium into the intracellular space of the cell and measuring the response of the cell to the medium, respectively.

Certain other embodiments of the present invention comprise devices and methods for measuring response of at least one cell to a medium, the response of at least one cell to a medium being characterized by a reaction time. More particularly, a device of the present invention comprises a sensor that measures the response of the cell to the medium at a time period shorter than the reaction time.

Certain additional embodiments of the present invention comprise devices and methods for discriminating an agent. More particularly, the devices and methods comprise means and the steps for constructing a decision tree having a plurality of branches, each branch corresponding to at least one defined action, wherein each branch comprises a plurality of successive branches, each successive branch corresponding to at least one defined action, providing a conditioned environment sensitive to the agent, obtaining data from response of the agent to the conditioned environment, extracting features from the obtained data, selecting a branch from the decision tree corresponding to the features, performing on the features at least one defined action corresponding to the branch, producing a classification of the agent, and iteratively repeating any or all steps until the agent is discriminated, respectively.

Certain further embodiments of the present invention comprise devices and methods for discriminating an agent. More particularly, the devices and methods comprise means and the steps for providing a plurality of  $L$  parameters,  $L$  being an integer, each parameter being related to the status of the agent, fitting the plurality of  $L$  parameters into a set of  $i$ th order differential equations,  $i=1, \dots, N$ ,  $N$  being an integer, obtaining a plurality of  $L$  features corresponding to  $L$  parameters,

respectively, from the set of  $i$ th order differential equations, separating the  $L$  features into a plurality of classes with a corresponding confidence level, providing a plurality of  $L+1$  parameters, each parameter being related to the status of the agent, fitting the plurality of  $L+1$  parameters into a set of  $i$ th+1 order differential equations, obtaining a plurality of  $L+1$  features corresponding to  $L+1$  parameters, respectively, from the set of  $i$ th+1 order differential equations, separating the  $L+1$  features into a plurality of classes with a corresponding confidence level, and iteratively repeating any or all steps until a plurality of classes for the agent is separated with a desired corresponding confidence level, respectively.

Certain other embodiments of the present invention comprise devices and methods for discriminating an agent. More particularly, the devices and methods comprise means and the steps for providing a broad spectrum assay having a plurality of  $L$  cell lines,  $L$  being an integer, each cell line being able to respond to the agent, measuring responses of cell line  $i$ ,  $i=1, \dots, L$ , to the agent, separating the responses into class  $m$ ,  $m=1, \dots, O$ ,  $O$  being an integer and the total number of available classes, with a corresponding robustness factor, selecting cell line  $j$ ,  $j=1, \dots, L$  but  $\neq i$ , from the knowledge of class  $m$ , measuring responses of cell line  $j$ ,  $j=1, \dots, L$  but  $\neq i$ , to the agent, defining a set of feature extraction algorithms from the measured response of cell line  $j$ ,  $j=1, \dots, L$  but  $\neq i$ , selecting cell line  $k$ ,  $k=1, \dots, L$  but  $\neq i$  and  $\neq j$ , measuring responses of cell line  $k$ ,  $k=1, \dots, L$  but  $\neq i$  and  $\neq j$ , to the agent, separating the responses into class  $n$ ,  $n=1, \dots, O$ ,  $O$  being an integer and the total number of available classes, with a corresponding robustness factor, and iteratively repeating any or all steps until a class for the agent with a desired robustness factor is obtained, respectively.

#### BACKGROUND OF THE INVENTION

The biological cell may act as a parallel processing, non-linear, multistate, analog computer. This analog computer can occupy a volume of less than  $10^{-16}$  m<sup>3</sup> and is primarily powered only by sugars, fats, and oxygen. The complexity of these computers is evidenced by the attempts to model ongoing biochemical processes based on *Mycoplasma genitalium*, a microbe with the smallest known gene set of any self-replicating organism (<http://www.e-cell.org>). However, even this simplest model requires hundreds of variables and reaction rules, and a complete model even for a mammalian cell would be much more complex, requiring in excess of  $10^5$  variables and equations.

Because the cell behaves as an analog computer, it can be programmed. Historically, a limited set of interventions has allowed physiologists and engineers to study living cells and characterize the feedback control systems that govern cell function. With the advent of genetic engineering, it is now possible to reprogram the genetic machinery of a cell, for example to turn a particular gene on or off, or to produce large quantities of a particular biochemical. However, there has been little efforts and progress for inserting man-made devices into the control system of a single living cell so as to convert the cell into a programmable computational engine.

Therefore, among other things, there is a need to merge cellular biophysics, microcircuits and microfluidics, and information technology to create, among other things, programmable microsystems that can be used for sensing, feedback, control and analysis of a single cell and/or an array of interconnected and instrumented living cells.

Additionally, current bio-sensors use biological molecules for specific agent detection via specific binding reactions. However, wide-spectrum detection is expensive, requiring a

priori threat knowledge and a large quantity of specific cells. Assays are susceptible to overload from multiple threats and false detection and from non-pathogenic "spoof" organisms. Furthermore, addressing new threats involves a lengthy, costly design process. In addition, conventional assays lack cellular machinery to increase sensitivity.

Therefore, among other things, there is also a need to develop new systems and methods that are capable of providing a complete bio-functional signature of a CBW agent, environmental contaminant, unknown drug, or other threats for better, fast, sensitive accurate and efficient detection.

#### SUMMARY OF THE INVENTION

In one aspect, the present invention relates to a device for monitoring status of at least one cell, wherein the cell has a membrane forming a substantially enclosed structure and defining an intracellular space therein. In one embodiment, the device includes a first substrate having a first surface and an opposite second surface, a second substrate supported by the first substrate, the second substrate having a first surface, an opposite second surface, a body portion between the first surface and the second surface, a first side surface and an opposite second side surface, wherein the body portion defines a first passage between the first side surface and the second side surface and an opening on the first surface of the second substrate and in fluid communication with the first passage, and sidewalls positioned above the first surface of the second substrate.

The device also includes a third substrate having a first surface and an opposite second surface. The third substrate, the sidewalls and the second substrate define a chamber that is in fluid communication with a second passage defined by portions of the sidewalls and the third substrate. The device further includes at least one sensor positioned in the first passage proximate to the opening, wherein the cell is positioned in the chamber and the intracellular space of the cell is in fluid communication with the first passage through the opening of the second substrate.

The membrane of the cell defines an opening through which the intracellular space of the cell is in fluid communication with the first passage through the opening of the second substrate. The device further includes a punching element positioned underneath the opening of the second substrate for making the opening defined by the membrane of the cell. The punching element can be a mechanical device such as a pressure-based suction device or an electroporation device such as an electric potential sucking device.

In one operation mode, when a first medium is introduced into the first passage, the intracellular space of the cell is in fluid communication with the first passage with the first medium, the sensor measures the response of the cell to the first medium.

In another operation mode, when a second medium is introduced into the chamber through the second passage, at least part of the membrane of the cell is in contact with the second medium in the chamber, the sensor measures the response of the cell to the second medium.

In yet another operation mode, when a first medium is introduced into the first passage and a second medium is introduced into the chamber through the second passage, respectively, the intracellular space of the cell is in fluid communication with the first passage with the first medium and at least part of the membrane of the cell is in contact with the second medium in the chamber, the sensor measures the responses of the cell to the first medium and the second medium.

5

The first passage is in fluid communication with a reservoir of a medium. The device further includes a pair of first controls positioned inside the first passage for controlling the flow of a medium through the first passage.

The device second passage is in fluid communication with a reservoir of a medium. The device also includes a second control positioned inside the second passage for controlling the flow of a medium through the second passage.

In another aspect, the present invention relates to a device for monitoring status of a plurality of cells, wherein each cell has a membrane forming a substantially enclosed structure and defining an intracellular space therein. In one embodiment, the device includes a first substrate having a first surface and an opposite second surface, a second substrate supported by the first substrate, the second substrate having a first surface, an opposite second surface, a body portion between the first surface and the second surface, a first side surface and an opposite second side surface, wherein the body portion defines a first passage between the first side surface and the second side surface and a plurality of openings distributed on and over the first surface, each opening being in fluid communication with the first passage, and a third substrate having a first surface and an opposite second surface and spaced apart from the second substrate thereby defining a space between the second surface of the third substrate and the first surface of the second substrate.

The device also includes a plurality of sidewalls positioned between the second substrate and the third substrate thereby partitioning the space between the second substrate and the third substrate into a plurality of chambers above the first surface of the second substrate such that only one of openings distributed on and over the first surface is located between the sidewalls of a corresponding chamber, wherein each chamber is in fluid communication with at least one neighboring chamber through a second passage defined by portions of the corresponding sidewalls and the third substrate. The device further includes a plurality of sensors positioned in the first passage, each sensor being proximate to a corresponding one of openings distributed on and over the first surface of the second substrate. The plurality of sensors can be substantially the same. Or, alternatively, at least two of the plurality of sensors can be different from each other.

Each cell is positioned in a corresponding one of the chambers and the intracellular space of each cell is in fluid communication with the first passage through the opening located between the sidewalls of a corresponding chamber. The membrane of each cell defines an opening through which the intracellular space of the cell is in fluid communication with the first passage through the opening located between the sidewalls of a corresponding chamber. The device further includes a plurality of punching elements, each positioned underneath an opening located between the sidewalls of a corresponding chamber for making the opening defined by the membrane of a corresponding cell. Each punching element can be a mechanical device such as a pressure-based suction device or an electroporation device such as an electric potential sucking device. Punching elements can be same or different.

In one operation mode, when a first medium is introduced into some portion of the first passage, the intracellular space of a cell that is in a chamber corresponding to that portion of the first passage is in fluid communication with the first passage with the first medium, a corresponding sensor measures the response of the cell to the first medium.

In another operation mode, when a second medium is introduced into a chamber, at least part of the membrane of a corresponding cell in the chamber is in contact with the sec-

6

ond medium, a corresponding sensor measures the response of the cell to the second medium.

In yet another operation mode, when a first medium is introduced into some portion of the first passage and a second medium is introduced into a chamber corresponding to that portion of the first passage, respectively, the intracellular space of a corresponding cell in the chamber is in fluid communication with the first passage with the first medium and at least part of the membrane of the corresponding cell is in contact with the second medium, a corresponding sensor measures the responses of the cell to the first medium and the second medium.

The first passage is in fluid communication with a reservoir of a medium. The device further includes a plurality of first controls positioned inside the first passage for controlling the flow of a medium through the first passage, wherein for each chamber, a corresponding pair of the first controls the flow of the medium through portions of the first passage under a corresponding chamber.

At least one chamber is in fluid communication with a reservoir of a medium through a second passage. The device also includes a plurality of second controls, each positioned inside a corresponding second passage for controlling the flow of a medium through that second passage.

In a further aspect, the present invention relates to a method for monitoring the status of at least one cell, wherein the cell has a membrane forming a substantially enclosed structure and defining an intracellular space therein. In one embodiment, the method includes the steps of confining the cell in a chamber, making an opening in the membrane of the cell, providing a first medium into the intracellular space of the cell through the opening in the membrane, and measuring the response of the cell to the first medium. The method further includes the steps of providing a second medium into the chamber such that at least part of the membrane of the cell is in contact with the second medium and measuring the response of the cell to the second medium.

In yet another aspect, the present invention relates to a device for monitoring the status of at least one cell, wherein the cell has a membrane forming a substantially enclosed structure and defining an intracellular space therein. In one embodiment, the device includes means for confining the cell in a chamber, means for making an opening in the membrane of the cell, means for providing a first medium into the intracellular space of the cell through the opening in the membrane, and means for measuring the response of the cell to the first medium. The device further includes means for providing a second medium into the chamber such that at least part of the membrane of the cell is in contact with the second medium and means for measuring the response of the cell to the second medium.

In another aspect, the present invention relates to a method for monitoring the status of at least one cell, wherein the cell has a membrane forming a substantially enclosed structure and defining an intracellular space therein. In one embodiment, the method includes the steps of confining the cell in a chamber, making an opening in the membrane of the cell, providing a first medium into the intracellular space of the cell through the opening in the membrane, providing a second medium into the chamber such that at least part of the membrane of the cell is in contact with the second medium and measuring the response of the cell to the second medium. The method further includes the step of measuring the response of the cell to the first medium.

In yet another aspect, the present invention relates to a device for monitoring the status of at least one cell, wherein the cell has a membrane forming a substantially enclosed

structure and defining an intracellular space therein. In one embodiment, the device includes means for confining the cell in a chamber, means for making an opening in the membrane of the cell, means for providing a first medium into the intracellular space of the cell through the opening in the membrane, means for providing a second medium into the chamber such that at least part of the membrane of the cell is in contact with the second medium and means for measuring the response of the cell to the second medium. The device further includes means for measuring the response of the cell to the first medium.

In a further aspect, the present invention relates to a method for controlling the physiological status of at least one cell, wherein the cell has a membrane forming a substantially enclosed structure and defining an intracellular space therein and controls its physiological status through an internal cellular control mechanism. In one embodiment, the method includes the step of providing at least one medium to the cell such that at least part of the membrane of the cell is in contact with the medium to override the internal cellular control mechanism. The medium may have an agent.

In one operation mode, the method further includes the steps of confining the cell in a chamber and making an opening in the membrane of the cell. The providing step further comprises the steps of supplying a first medium into the intracellular space of the cell through the opening in the membrane, and supplying a second medium into the chamber such that at least part of the membrane of the cell is in contact with the second medium. The method further includes the steps of measuring the response of the cell to the second medium, and adjusting the composition of the second medium from the response to affect the overriding of the internal cellular control mechanism. Moreover, the method further includes the steps of measuring the response of the cell to the first medium, and adjusting the composition of the first medium from the response to affect the overriding of the internal cellular control mechanism.

In another operation mode, the method further includes the steps of monitoring the concentration of at least one selected component of the medium and adjusting the composition of the medium from the monitored concentration of at least one selected component of the medium to affect the overriding of the internal cellular control mechanism. Additionally, the method further includes the steps of measuring the response of the cell to the medium, and adjusting the composition of the medium from the response to affect the overriding of the internal cellular control mechanism.

In yet another aspect, the present invention relates to a device for controlling the physiological status of at least one cell, wherein the cell has a membrane forming a substantially enclosed structure and defining an intracellular space therein and controls its physiological status through an internal cellular control mechanism. In one embodiment, the device includes means for providing at least one medium to the cell such that at least part of the membrane of the cell is in contact with the medium to override the internal cellular control mechanism.

The device further includes means for confining the cell in a chamber and means for making an opening in the membrane of the cell. In one embodiment, the providing means includes means for supplying a first medium into the intracellular space of the cell through the opening in the membrane and means for supplying a second medium into the chamber such that at least part of the membrane of the cell is in contact with the second medium. The device further includes means for measuring the response of the cell to the second medium and means for adjusting the composition of the second medium

from the response to affect the overriding of the internal cellular control mechanism. Moreover, the device further includes means for measuring the response of the cell to the first medium and means for adjusting the composition of the first medium from the response to affect the overriding of the internal cellular control mechanism.

Additionally, the device includes means for monitoring the concentration of at least one selected component of the medium and means for adjusting the composition of the medium from the monitored concentration of at least one selected component of the medium to affect the overriding of the internal cellular control mechanism. The device further includes means for measuring the response of the cell to the medium and means for adjusting the composition of the medium from the response to affect the overriding of the internal cellular control mechanism.

In a further aspect, the present invention relates to a method for controlling the physiological status of at least one cell, wherein the cell has a membrane forming a substantially enclosed structure and defining an intracellular space therein and controls its physiological status through an internal cellular control mechanism. In one embodiment, the method includes the steps of providing at least one medium to the cell such that at least part of the membrane of the cell is in contact with the medium, monitoring at least one selected component of the medium, and adjusting the composition of the medium from the monitored concentration of at least one selected component of the medium to deliver or remove analytes to the intracellular space through the membrane to affect the internal cellular control mechanism.

In another aspect, the present invention relates to a device for controlling the physiological status of at least one cell, wherein the cell has a membrane forming a substantially enclosed structure and defining an intracellular space therein and controls its physiological status through an internal cellular control mechanism. In one embodiment, the device includes means for providing at least one medium to the cell such that at least part of the membrane of the cell is in contact with the medium, means for monitoring at least one selected component of the medium, means for adjusting the composition of the medium from the monitored concentration of at least one selected component of the medium to deliver or remove analytes to the intracellular space through the membrane to affect the internal cellular control mechanism.

These and other aspects will become apparent from the following description of the preferred embodiment taken in conjunction with the following drawings, although variations and modifications therein may be affected without departing from the spirit and scope of the novel concepts of the disclosure.

#### BRIEF DESCRIPTION OF THE DRAWINGS

FIG. 1 schematically shows a multicellular bio-silicon hybrid microsystem according to one embodiment of the present invention.

FIGS. 2A-2B show a PicoCalorimeter or a device according to one embodiment of the present invention: A. side view and B. top view.

FIGS. 3A-3C show a Microbottle or a device according to one embodiment of the present invention: A. side view; B. top view; and C. sectional view along line A-A in FIG. 3A.

FIGS. 4A-4C show a Microbottle or a device according to another embodiment of the present invention: A. side view; B. top view (with lid removed); and C. sectional view along line A-A in FIG. 4A.

FIGS. 5A-5C show a Microbottle or a device according to yet another embodiment of the present invention: A. side view; B. top view; and C. sectional view along line A-A in FIG. 5A.

FIGS. 6A-6D show a Picocalorimeter or a device according to one embodiment of the present invention: A. side cross-sectional view along line D-D in FIG. 6C; B. side cross-sectional view along line C-C in FIG. 6C; C. cross-sectional view along line A-A in FIGS. 6A and 6B; and D. cross-sectional view along line B-B in FIGS. 6A and 6B.

FIGS. 7A-7C show a physiometer or a device according to one embodiment of the present invention: A. side sectional view; B. cross-sectional view along line A-A in FIG. 7A; and C. cross-sectional view along line B-B in FIG. 7B.

FIG. 8 illustrates an integrated bio-silicon-hybrid system design environment according to one embodiment of the invention.

FIG. 9 shows a bio-functional signature matrix according to one embodiment of the present invention.

FIG. 9A schematically shows a bio-functional signature matrix of FIG. 9 in another form according to one embodiment of the present invention.

FIG. 10 shows data of parathion (open symbols) and paraoxon (filled symbols) on metabolic activity of human hepatocyte and neuroblastoma cells according to one embodiment of the present invention.

FIGS. 11A-11C schematically show a sensor head for multispectral readout according to one embodiment of the present invention: A. side sectional view; B. bottom view; and C. perspective view.

FIGS. 12A-12C schematically show a Nanophysiometer or a device according to one embodiment of the present invention: A. side cross-sectional view along line A-A in FIG. 12B; and B. top view; and C. exploded view of part B in FIG. 12A.

FIGS. 13A-13C schematically show a Nanophysiometer or a device according to another embodiment of the present invention: A. side view; and B. cross-sectional view along line A-A in FIG. 13A; and C. enlargement view of part B in FIG. 13B.

FIG. 14 schematically shows an optical setup for fluorescence measurements associated with a Nanophysiometer according to one embodiment of the present invention.

FIG. 15 schematically shows response of optical beacons to a binding event as a means to identify the expression of particular mRNA in response to toxins and agents according to one embodiment of the present invention.

FIG. 16 illustrates an example of cellular pathways that can be monitored according to one embodiment of the invention.

FIGS. 17A-17B illustrate an example of toxin discrimination by simultaneous monitoring of multiple metabolic signals following the exposure of cells to some toxins according to one embodiment of the invention: A. to DNP; and B. to Cyanide.

FIGS. 18A-18B show discrimination of toxins/agents by monitoring characteristic temporal response of cellular phenotypes to toxins according to one embodiment of the present invention: A. for Macrophage; and B. for Hepatocyte.

FIGS. 19A-19B schematically show discrimination by characteristic responses in a conditioned environment according to one embodiment of the present invention: A. no phenobarbital preexposure; and B. with phenobarbital preexposure.

FIG. 20 shows discrimination by characteristic reaction kinetics of metabolic pathways according to one embodiment of the present invention.

FIG. 21 shows the effect of soman on an action potential of a neuron according to one embodiment of the present invention.

FIG. 22 is a flowchart illustrating a Process to define a differential discrimination process according to one embodiment of the invention.

FIG. 23 illustrates two signal classification algorithms according to one embodiment of the invention.

FIG. 24 schematically shows a diagnostics path or process according to one embodiment of the present invention.

FIGS. 25A-25B show a Picocalorimeter or a device according to another embodiment of the present invention: A. side cross-sectional view along line A-A in FIG. 25B; and B. tilted view from the bottom.

FIGS. 26A-26B show an iridium oxide pH electrode forming on a platinum interdigitated microelectrode array according to one embodiment of the present invention: A. a photomicrograph of the electrode array with platinum, iridium oxide, and platinum microstrips on a glass substrate; B. a pH calibration of the sensor.

FIGS. 27A-27B show a Nanophysiometer or a device according to one embodiment of the present invention: A. side cross-sectional view; and B. cross-sectional view along line A-A in FIG. 27A.

FIGS. 28A-28C show a Nanophysiometer or a device according to another embodiment of the present invention: A. top view; and B. exploded of part A in FIG. 28A; and C. cross-sectional view along line B-B in FIG. 28B.

FIGS. 29A-29C show a Nanophysiometer or a device according to yet another embodiment of the present invention: A. top view; and B. exploded of part A in FIG. 29A; and C. cross-sectional view along line B-B in FIG. 29B.

FIG. 30 shows a Nanophysiometer or a device according to a further embodiment of the present invention in a top view.

FIGS. 31A-31E illustrate the utilization of NanoPhysiometer electrochemical sensors and their temporal response to changes in pH and oxygen according to one embodiment of the present invention: A. the average pH as a function of time in a 100 pL well containing a single cell with no flow; B. same as FIG. 31A, except plotted as a function of logarithmic time to show that the response is constant until the protons have time to diffuse from the cell to the electrode; C. the time taking for the pH to drop by a certain amount; D. the results of the test of the Nanophysiometer with a platinum interdigitated array that senses oxygen; and E. an individually addressable interdigitated microelectrode array.

#### DETAILED DESCRIPTION OF THE INVENTION

Various embodiments of the invention are now described in detail. Referring to the drawings, like numbers indicate like parts throughout the views. As used in the description herein and throughout the claims that follow, the meaning of "a," "an," and "the" includes plural reference unless the context clearly dictates otherwise. Also, as used in the description herein and throughout the claims that follow, the meaning of "in" includes "in" and "on" unless the context clearly dictates otherwise. Additionally, some terms used in this specification are more specifically defined below.

#### DEFINITIONS

The terms used in this specification generally have their ordinary meanings in the art, within the context of the invention, and in the specific context where each term is used. For example, conventional techniques of molecular biology, microbiology and recombinant DNA techniques may be



employed in accordance with the present invention. Such techniques and the meanings of terms associated therewith are explained fully in the literature. See, for example, Sambrook, Fritsch & Maniatis. *Molecular Cloning: A Laboratory Manual*, Second Edition (1989) Cold Spring Harbor Laboratory Press, Cold Spring Harbor, N.Y. (referred to herein as "Sambrook et al., 1989"); *DNA Cloning: A Practical Approach*, Volumes I and II (D. N. Glover ed. 1985); *Oligonucleotide Synthesis* (M. J. Gait ed. 1984); *Nucleic Acid Hybridization* (B. D. Hames & S. J. Higgins, eds. 1984); *Animal Cell Culture* (R. I. Freshney, ed. 1986); *Immobilized Cells and Enzymes* (IRL Press, 1986); B. E. Perbal, *A Practical Guide to Molecular Cloning* (1984); F. M. Ausubel et al. (eds.), *Current Protocols in Molecular Biology*, John Wiley & Sons, Inc. (1994). See also, *PCR Protocols: A Guide to Methods and Applications*, Innis et al., eds., Academic Press, Inc., New York (1990); Saiki et al., *Science* 1988, 239:487; and *PCR Technology: Principles and Applications for DNA Amplification*, H. Erlich, Ed., Stockton Press.

Certain terms that are used to describe the invention are discussed below, or elsewhere in the specification, to provide additional guidance to the practitioner in describing the devices and methods of the invention and how to make and use them. For convenience, certain terms are highlighted, for example using italics and/or quotation marks. The use of highlighting has no influence on the scope and meaning of a term; the scope and meaning of a term is the same, in the same context, whether or not it is highlighted. It will be appreciated that the same thing can be said in more than one way. Consequently, alternative language and synonyms may be used for any one or more of the terms discussed herein, nor is any special significance to be placed upon whether or not a term is elaborated or discussed herein. Synonyms for certain terms are provided. A recital of one or more synonyms does not exclude the use of other synonyms. The use of examples anywhere in this specification, including examples of any terms discussed herein, is illustrative only, and in no way limits the scope and meaning of the invention or of any exemplified term. Likewise, the invention is not limited to various embodiments given in this specification.

As used herein, "about" or "approximately" shall generally mean within 20 percent, preferably within 10 percent, and more preferably within 5 percent of a given value or range. Numerical quantities given herein are approximate, meaning that the term "about" or "approximately" can be inferred if not expressly stated.

The term "agent" is broadly defined as anything that may have an impact on any living system such as a cell. For examples, the agent can be a chemical agent. The chemical agent may comprise a toxin. The agent can also be a biological agent. Moreover, the agent may comprise at least one unknown component, which may be identified by practicing the present invention. Additionally, the agent may comprise at least one known component, whose interaction with cells or other components of an environment may be detected by practicing the present invention. The agent can also be a physical agent. Other examples of agent include biological warfare agents, chemical warfare agents, bacterial agents, viral agents, other pathogenic microorganisms, emerging or engineered threat agents, acutely toxic industrial chemicals ("TICS"), toxic industrial materials ("TIMS") and the like. Examples of chemical agents that may be related to practicing the present invention include Mustard (that may be simulated with chloroethyl ethyl sulphide (endothelia cells in PC)), GB-Sarin (that may be simulated with Diisopropylfluorophosphate (DFP)), VX (that may be simulated with Malathion) or the like. Examples of viral agents (and their

simulants) that may be related to practicing the present invention include MS2, Hepatitis or simulant or attenuated virus, Retroviruses alphaviruses or the like. Examples of bacterial agents (and their simulants) that may be related to practicing the present invention include *Bacillus globigii* or *Bacillus subtilis* as spore formers similar to anthrax, *Erwinia herbicola* as a simulant for vegetative bacteria (not sporagenic), *E. coli* or the like. Additional examples of agents can also be found in the following exemplary list of agents:

- 10 Botulinum Toxin (seven immunological types: A, B, C1, C2, D, E, F, G)
- Staphylococcus enterotoxin B*
- Saxitoxin
- Ricin (*Ricinus communis*)
- 15 Epsilon toxin of *Clostridium perfringens*
- Mycotoxins
- Aflatoxins that inhibit DNA and RNA synthesis
- Anatoxin A
- Microcystins
- 20 Cholera Toxin
- Tetrodotoxin
- Substance P
- Bacillus anthracis* (Anthrax)
- Yersinia Pestis*, (gram-negative coccobacillus causing the
- 25 zoonotic infection Plague)
- Clostridium botulinum*
- Francisella tularensis* (a gram-negative, facultative intracellular bacterium that causes the zoonosis Tularemia)
- Brucella* spp (spp=several different species?)
- 30 *Burkholderia mallei* (Glanders)
- Burkholderia pseudomallei*
- Chlamydia psittaci*
- Shigella dysenteriae*
- Salmonella* spp
- 35 *Vibrio cholerae*
- Cryptosporidium parvum*
- Clostridium perfringens*
- Hepatitis C
- Variola major (smallpox)
- 40 Filoviruses/Arenaviruses
- Alphaviruses
- Cephalomyelitis Viruses
- Nipah Virus (a new paramyxovirus)
- Hantavirus
- 45 Tick-borne hemorrhagic fevers
- Dengue (Breakbone or Dandy Fever) fever virus
- Enteric Viruses
- Hepatocytes and Hepatitis A
- Lymphocytes
- 50 Erythrocytes
- Endothelial cells
- HL1 (Cardiac)
- Secretory cell (depolarize and it secretes things)
- Beta=insulin
- 55 PC12 neural cells
- HELA (Helen Lane)
- HEK293 Human Epithelial Kidney cells
- Coxiella burnetti*
- Rickettsia prowazekii*
- 60 VX, V-gas
- G-series (GF-cyclohexyl sarin, GD-Soman, GB-Sarin, GA-Tabun)
- Mustard Agents
- HN-1-Nitrogen Mustard
- 65 HN-2-Nitrogen Mustard (N-Oxide Hydrochloride)
- Sulfar Mustard
- Adamsite

Arsines  
 Lewisite  
 Hydrogen Cyanide  
 Cyanogen Chloride  
 BZ (Benzphetamine)  
 LSD (Lysergic Acid Diethylamide) (enable comment for this)  
 Chlorine  
 Phosgene  
 CN (2-Chloroacetophenone)  
 Fuel & Combustion Products (Jet Fuels)  
 IP4  
 JP-8  
 TMPP  
 Herbicides/Pesticides  
 Methyl Parathion (an organophosphorus insecticide)  
 Volatile Organic Carbons (VOC)  
 Benzene  
 Toluene (methylbenzene)  
 Xylene  
 Heavy Metals  
 Lead  
 Chromium  
 Mercury  
 Halogens  
 Fluorine  
 Bromine

Cyanides  
 Isocyanates  
 cyanides (as CN)  
 Hydrogen Chloride  
 Sulfur Dioxide  
 Oxides of Nitrogen (NOx)  
 Vinyl Chloride  
 Barium Nitrate  
 Hydrazine  
 DBNP-di-tris-butyl-nitrophenol.

The term "toxin" is broadly defined as any agent that may have a harmful effect or harmful effects on any living system such as a cell. Examples of toxins that may be related to practicing the present invention include cyanide, endotoxin, okadaic acid, Phorbol Myristate Acetate ("PMA"), microcystin, Dinitrophenol ("DNP"), Botulinum toxin (a common threat agent; inhibit transmitter release, whole cell MB), *Staphylococcus* enterotoxin B, ricin (inhibits protein synthesis and ribosome, OT), mycotoxins, aflatoxins, cholera toxin (activates Cl pump, vesicle MB, NBR), Saxatoin or tetradotoxin (Na channel blocker, vesicle MB), Microcystins (hepatocyte metabolism in PC) and organophosphates. Other examples of toxins may be also discussed somewhere else in the specification. Additional examples of toxins can also be found in the market. For example, the following is an exemplary list of toxins with their corresponding product number that are readily available from a commercial source at gotnet.com:

| PRODUCT DESCRIPTION   | PRODUCT NUMBER |
|---|----------------|
| Adenylate Cyclase Toxin from <i>Bordetella pertussis</i>                    | 188            |
| Alpha Toxin from <i>Staphylococcus aureus</i>                               | 120            |
| Anthrax Lethal Factor (LF), Recombinant from <i>Bacillus anthracis</i>      | 171            |
| Anthrax Protective Antigen (PA), Recombinant from <i>Bacillus anthracis</i> | 172            |
| Anti-Choleraenoid, Goat   | 703            |
| Antibody for Cholera Toxin B Subunit  |                |
| Anti-Exotoxin A, Goat   | 760            |
| Antibody for Exotoxin A from <i>Pseudomonas aeruginosa</i>                  |                |
| Anti-Toxin A, Goat  | 752            |
| Antibody for Toxin A from <i>Clostridium difficile</i>                      |                |
| Anti-VAC <sub>H</sub> Transporter Saporin Conjugate                         | 770            |
| Biotin, Cholera Toxin B Subunit Conjugated                                  | 112            |
| <i>Bordetella pertussis</i> , Adenylate Cyclase Toxin                       | 188            |
| <i>Bordetella pertussis</i> , Filamentous Hemagglutinin                     | 170            |
| <i>Bordetella pertussis</i> , Pertussis Toxin, Liquid in Glycerol Buffer    | 179A           |
| <i>Bordetella pertussis</i> , Pertussis Toxin, Lyophilized in Buffer        | 180            |
| <i>Bordetella pertussis</i> , Pertussis Toxin, Lyophilized, Salt Free       | 181            |
| <i>Bordetella pertussis</i> , Pertussis Toxin A Protomer                    | 182            |
| <i>Bordetella pertussis</i> , Pertussis Toxin B Oligomer                    | 183            |
| <i>Botulinum</i> Neurotoxin Type A from <i>Clostridium botulinum</i>        | 130A           |
| <i>Botulinum</i> Neurotoxin Type A Heavy Chain                              | 132            |
| <i>Botulinum</i> Neurotoxin Type A Light Chain                              | 131            |
| <i>Botulinum</i> Neurotoxin Type A Toxoid                                   | 133            |
| <i>Botulinum</i> Neurotoxin Type B from <i>Clostridium botulinum</i>        | 136A           |
| <i>Botulinum</i> Neurotoxin Type B Heavy Chain                              | 138            |
| <i>Botulinum</i> Neurotoxin Type B Light Chain                              | 137            |
| <i>Botulinum</i> Neurotoxin Type B Toxoid                                   | 139            |
| Cholera Toxin, Azide Free   | 100            |
| Cholera Toxin from <i>Vibrio cholerae</i>                                   | 101            |
| Cholera Toxin A Subunit   | 102            |
| Cholera Toxin B Subunit   | 103            |
| Cholera Toxin B Subunit, Low Salt   | 104            |
| Cholera Toxin B Subunit Conjugated to Fluorescein Isothiocyanate            | 106            |
| Cholera Toxin B Subunit Conjugated to Horseradish Peroxidase                | 105            |
| Cholera Toxin B Subunit Conjugated to Tetramethylrhodamine B Isothiocyanate | 107            |
| Cholera Toxin B Subunit Conjugated to Phycoerythrin                         | 109            |
| Cholera Toxin B Subunit Conjugated to Biotin                                | 112            |
| Cholera Toxin B Subunit, Recombinant  | 114            |
| <i>Clostridium botulinum</i> , <i>Botulinum</i> Neurotoxin Type A           | 130A           |

-continued

| PRODUCT DESCRIPTION  | PRODUCT NUMBER |
|--|----------------|
| <i>Clostridium botulinum</i> , <i>Botulinum</i> Neurotoxin Type A Heavy Chain      | 132            |
| <i>Clostridium botulinum</i> , <i>Botulinum</i> Neurotoxin Type A Light Chain      | 131            |
| <i>Clostridium botulinum</i> , <i>Botulinum</i> Neurotoxin Type A Toxoid           | 133            |
| <i>Clostridium botulinum</i> , <i>Botulinum</i> Neurotoxin Type B                  | 136A           |
| <i>Clostridium botulinum</i> , <i>Botulinum</i> Neurotoxin Type B Heavy Chain      | 138            |
| <i>Clostridium botulinum</i> , <i>Botulinum</i> Neurotoxin Type B Light Chain      | 137            |
| <i>Clostridium botulinum</i> , <i>Botulinum</i> Neurotoxin Type B Toxoid           | 139            |
| <i>Clostridium botulinum</i> , Exoenzyme C3  | 143            |
| <i>Clostridium difficile</i> , Anti-Toxin A, Goat                                  | 752            |
| Antibody for Toxin A from <i>Clostridium difficile</i>                             |                |
| <i>Clostridium difficile</i> , Toxin A   | 152            |
| <i>Clostridium difficile</i> , Toxin A Toxoid                                      | 153            |
| <i>Clostridium difficile</i> , Toxin B   | 155            |
| <i>Clostridium tetani</i> , Tetanolysin  | 199            |
| <i>Clostridium tetani</i> , Tetanus Toxin  | 190            |
| <i>Clostridium tetani</i> , Tetanus Toxin C-Fragment                               | 193            |
| <i>Clostridium tetani</i> , Tetanus Toxoid   | 191            |
| <i>Corynebacterium diphtheriae</i> , Diphtheria Toxin CRM Mutant                   | 149            |
| <i>Corynebacterium diphtheriae</i> , Diphtheria Toxin, Unnicked                    | 150            |
| <i>Corynebacterium diphtheriae</i> , Diphtheria Toxoid                             | 151            |
| Diphtheria Toxin CRM Mutant  | 149            |
| Diphtheria Toxin, Unnicked, from <i>Corynebacterium diphtheriae</i>                | 150            |
| Diphtheria Toxoid  | 151            |
| Enterotoxin Type B from <i>Staphylococcus aureus</i>                               | 122            |
| <i>Escherichia coli</i> J5 (Re), Lipopolysaccharide                                | 301            |
| <i>Escherichia coli</i> K12, D31m4, Primarily Diphosphoryl Lipid A                 | 402            |
| <i>Escherichia coli</i> K12, D31m4 (Re), Lipopolysaccharide                        | 302            |
| <i>Escherichia coli</i> K12 strain LCD25, [ <sup>3</sup> H]Lipopolysaccharide      | 510            |
| <i>Escherichia coli</i> K12 strain LCD25, Lipopolysaccharide                       | 314            |
| <i>Escherichia coli</i> O111: B4, Lipopolysaccharide                               | 201            |
| <i>Escherichia coli</i> O55: B5, Lipopolysaccharide                                | 203            |
| <i>Escherichia coli</i> , Stable Toxin   | 118            |
| Exoenzyme C3 from <i>Clostridium botulinum</i>                                     | 143            |
| Exotoxin A from <i>Pseudomonas aeruginosa</i>                                      | 160            |
| Filamentous Hemagglutinin from <i>Bordetella pertussis</i>                         | 170            |
| Fluorescein Isothiocyanate, Cholera Toxin B Subunit Conjugated                     | 106            |
| Fluorescein Isothiocyanate, Tetanus Toxin C-Fragment Conjugated                    | 196            |
| Horseradish Peroxidase, Cholera Toxin B Subunit Conjugated                         | 105            |
| Horseradish Peroxidase, Tetanus Toxin C-Fragment Conjugated                        | 195            |
| Lipid A from <i>Escherichia coli</i> K12, D31m4, Primarily Diphosphoryl            | 402            |
| Lipid A from <i>Salmonella minnesota</i> R595, Primarily Monophosphoryl            | 401            |
| [ <sup>3</sup> H]Lipopolysaccharide from <i>Escherichia coli</i> K12 strain LCD25  | 510            |
| Lipopolysaccharide from <i>Escherichia coli</i> J5 (Re)                            | 301            |
| Lipopolysaccharide from <i>Escherichia coli</i> K12, D31m4 (Re)                    | 302            |
| Lipopolysaccharide from <i>Escherichia coli</i> K12 strain LCD25                   | 314            |
| Lipopolysaccharide from <i>Escherichia coli</i> O111: B4                           | 201            |
| Lipopolysaccharide from <i>Escherichia coli</i> O55: B5                            | 203            |
| Lipopolysaccharide from <i>Salmonella minnesota</i> R595 (Re)                      | 304            |
| Lipopolysaccharide from <i>Salmonella typhimurium</i>                              | 225            |
| Lipopolysaccharide, Ultra Pure from <i>Salmonella minnesota</i> R595 (Re)          | 434            |
| Neuraminidase from <i>V. cholerae</i>  | 600            |
| <i>Pasteurella Multocida</i> Toxin   | 156            |
| <i>Pertussis</i> Toxin, Liquid in Glycerol Buffer from <i>Bordetella pertussis</i> | 179A           |
| <i>Pertussis</i> Toxin, Lyophilized in Buffer                                      | 180            |
| <i>Pertussis</i> Toxin, Lyophilized, Salt Free                                     | 181            |
| <i>Pertussis</i> Toxin A Protomer  | 182            |
| <i>Pertussis</i> Toxin B Oligomer  | 183            |
| <i>Pseudomonas aeruginosa</i> , Anti-Exotoxin A, Goat                              | 760            |
| Antibody for Exotoxin A from <i>Pseudomonas aeruginosa</i>                         |                |
| <i>Pseudomonas aeruginosa</i> , Exotoxin A   | 160            |
| Recombinant Adenylate Cyclase Toxin from <i>Bordetella pertussis</i>               | 188            |
| Recombinant Cholera Toxin B Subunit  | 114            |
| Recombinant protective antigen (PA) from <i>Bacillus anthracis</i>                 | 171            |
| Recombinant lethal factor (LF) from <i>Bacillus anthracis</i>                      | 172            |
| <i>Salmonella minnesota</i> R595, Primarily Monophosphoryl, Lipid A                | 401            |
| <i>Salmonella minnesota</i> R595 (Re), Lipopolysaccharide                          | 304            |
| <i>Salmonella typhimurium</i> , Lipopolysaccharide                                 | 225            |
| Shiga Like Toxin 1 (Verotoxin 1)   | 163            |
| Shiga Like Toxin 2 (Verotoxin 2)   | 164            |
| SNAptide™ Peptide Substrate for <i>C. botulinum</i>                                | 134            |
| Stable Toxin from <i>Escherichia coli</i>  | 118            |
| <i>Staphylococcus aureus</i> , Alpha Toxin   | 120            |
| <i>Staphylococcus aureus</i> , Enterotoxin Type B                                  | 122            |
| Tetanolysin from <i>Clostridium tetani</i>   | 199            |
| Tetanus Toxin from <i>Clostridium tetani</i>                                       | 190            |
| Tetanus Toxin C-Fragment   | 193            |
| Tetanus Toxin C-Fragment Conjugated to Fluorescein                                 | 196            |

| PRODUCT DESCRIPTION  | PRODUCT NUMBER |
|--|----------------|
| Tetanus Toxin C-Fragment Conjugated to Horseradish Peroxidase              | 195            |
| Tetanus Toxoid from <i>Clostridium tetani</i>                              | 191            |
| Tetramethylrhodamine B Isothiocyanate, Cholera Toxin B Subunit Conjugated  | 107            |
| Toxin A from <i>Clostridium difficile</i>                                  | 152            |
| Toxin A Toxoid from <i>Clostridium difficile</i>                           | 153            |
| Toxin B from <i>Clostridium difficile</i>                                  | 155            |
| Tritiated Lipopolysaccharide from <i>Escherichia coli</i> K12 strain LCD25 | 510            |
| Verotoxin 1 (Shiga Like Toxin 1)   | 163            |
| Verotoxin 2 (Shiga Like Toxin 2)   | 164            |
| <i>Vibrio cholerae</i> , Anti-Choleraegenoid, Goat                         | 703            |
| Antibody for Cholera Toxin B Subunit                                       |                |
| <i>Vibrio cholerae</i> , Cholera Toxin                                     | 101            |
| <i>Vibrio cholerae</i> , Cholera Toxin, Azide Free                         | 100            |
| <i>Vibrio cholerae</i> , Cholera Toxin A Subunit                           | 102            |
| <i>Vibrio cholerae</i> , Cholera Toxin B Subunit                           | 103            |
| <i>Vibrio cholerae</i> , Cholera Toxin B Subunit, Low Salt                 | 104            |
| Recommended for Tract Tracing  |                |

It will be appreciated that all these toxins, in addition to other toxins given in the specification, are given as specific examples of toxins that may be related to practicing the present invention. Other known or unknown toxins can also be related to or used and may be preferred for certain, particular applications.

The term "molecule" means any distinct or distinguishable structural unit of matter comprising one or more atoms, and includes for example polypeptides and polynucleotides.

"DNA" (deoxyribonucleic acid) means any chain or sequence of the chemical building blocks adenine (A), guanine (G), cytosine (C) and thymine (T), called nucleotide bases, that are linked together on a deoxyribose sugar backbone. DNA can have one strand of nucleotide bases, or two complimentary strands which may form a double helix structure. "RNA" (ribonucleic acid) means any chain or sequence of the chemical building blocks adenine (A), guanine (G), cytosine (C) and uracil (U), called nucleotide bases, that are linked together on a ribose sugar backbone. RNA typically has one strand of nucleotide bases.

As used herein, "cell" means any cell or cells, as well as viruses or any other particles having a microscopic size, e.g. a size that is similar to that of a biological cell, and includes any prokaryotic or eukaryotic cell, e.g., bacteria, fungi, plant and animal cells. Cells are typically spherical, but can also be elongated, flattened, deformable and asymmetrical, i.e., non-spherical. The size or diameter of a cell typically ranges from about 0.1 to 120 microns, and typically is from about 1 to 50 microns. A cell may be living or dead. As used herein, a cell is generally living unless otherwise indicated. As used herein, a cell may be charged or uncharged. For example, charged beads may be used to facilitate flow or detection, or as a reporter. Biological cells, living or dead, may be charged for example by using a surfactant, such as SDS (sodium dodecyl sulfate). Cell or a plurality of cells can also comprise cell lines. Example of cell lines include liver cell, macrophage cell, neuroblastoma cell, endothelial cell, intestine cell, hybridoma, CHO, fibroblast cell lines, red blood cells, electrically excitable cells, e.g. Cardiac cell, myocytes (AT1 cells), cells grown in co-culture, NG108-15 cells (a widely used neuroblastoma X glioma hybrid cell line, ATCC# HB-12317), primary neurons, a primary cardiac myocyte isolated from either the ventricles or atria of an animal neonate, an AT-1 atrial tumor cardiac cell, Liver cells are also known as Hepatocytes, Secretory cell (depolarize and it secretes things) pancreatic beta cells secrete insulin, HELA cells (Helen Lane), HEK293

Human Epithelial Kidney c, Erythrocytes (primary red blood cells), Lymphocytes and the like. Each cell line may include one or more cells, same or different. For examples, the liver cell comprises at least one of Human hepatocellular carcinoma ("HEPG2") cell, CCL-13 cell, and H4IIE cell, the macrophage cells comprises at least one of peripheral blood mononuclear cells ("PBMC"), and skin fibroblast cells, the neuroblastoma cell comprises a U937 cell, the endothelial cell comprises a human umbilical vein-endothelial cell ("Huv-ec-c"), and the intestine cell comprises a CCL-6 cell.

A "reporter" is any molecule, or a portion thereof, that is detectable, or measurable, for example, by optical detection. In addition, the reporter associates with a molecule or cell or with a particular marker or characteristic of the molecule or cell, or is itself detectable, to permit identification of the molecule or cell, or the presence or absence of a characteristic of the molecule or cell. In the case of molecules such as polynucleotides such characteristics include size, molecular weight, the presence or absence of particular constituents or moieties (such as particular nucleotide sequences or restrictions sites). The term "label" can be used interchangeably with "reporter". The reporter is typically a dye, fluorescent, ultraviolet, or chemiluminescent agent, chromophore, or radio-label, any of which may be detected with or without some kind of stimulatory event, e.g., fluoresce with or without a reagent. Typical reporters for molecular fingerprinting include without limitation fluorescently-labeled single nucleotides such as fluorescein-dNTP, rhodamine TP, Cy3-dNTP, Cy5-dNTP, where DNTP represents DATP, dTTP, dUTP or dCTP. The reporter can also be chemically-modified single nucleotides, such as biotin-dNTP. Alternatively, chemicals can be used that react with an attached functional group such as biotin.

A "marker" is a characteristic of a molecule or cell that is detectable or is made detectable by a reporter, or which may be coexpressed with a reporter. For molecules, a marker can be particular constituents or moieties, such as restrictions sites or particular nucleic acid sequences in the case of polynucleotides. The marker may be directly or indirectly associated with the reporter or can itself be a reporter. Thus, a marker is generally a distinguishing feature of a molecule, and a reporter is generally an agent which directly or indirectly identifies or permits measurement of a marker. These terms may, however, be used interchangeably.

A "measurable quantity" is a physical quantity that is measurable by a device, or obtainable by simulations. For

examples, a measurable quantity can comprise a physical quantity related to cellular physiological activities of a cell exposed to an agent. Because cellular physiological activities of a cell involve a lot of activities across a wide spectrum, the plurality of physical quantities related to the impact of the agent on the cell physiology of the cell exposed to the agent are numerous such as heat production, oxygen consumption, uncoupling ratio between heat production and oxygen consumption, free radical synthesis, fraction of oxygen diverted to free radical synthesis, reduced nicotinamide adenine dinucleotide phosphate (“NAD(P)H”), acid production, glucose uptake, lactate release, gluconeogenesis, transmembrane potential, intracellular messengers, membrane conductance, transmembrane pump and transporter rates, messenger RNA expression, neurotransmitter secretion, intracellular glycolytic stores, transmembrane action potential amplitude and firing rate, heat-shock protein expression, intracellular calcium, calcium spark rate and the like.

The term “channel” is broadly defined as any ionic pathway that is associated with cellular physiological activities of a cell. There are various types of channels. For examples, a channel can be a Voltage-gated channel, a Ligand-gated channel, Resting K<sup>+</sup> channels (that are inwardly rectifying K, leak channels), Stretch activated channels, Volume-regulated channels and the like. Examples of Voltage-gated channel include K, Na, Ca and Cl. Examples of Ligand-gated channel include Neurotransmitter (glutamate {NMDA, AMPA, KAINATE}), GABA, ACH (nicotinic), 5HT, glycine, histamine, Cyclic nucleotide-gated (cAMP, cGMP from inside of cell), some K-selective, some non-specific cation channels, G-protein activated (mostly potassium; pertussis toxin-inhibited), Calcium-activated (K channels activated by voltage and Ca) and the like.

A “sensor” is broadly defined as any device that can measure a measurable quantity. For examples, a sensor can be a thermal detector, an electrical detector, a chemical detector, an optical detector, an ion detector, a biological detector, a radioisotope detector, an electrochemical detector, a radiation detector, an acoustic detector, a magnetic detector, a capacitive detector, a pressure detector, an ultrasonic detector, an infrared detector, a microwave motion detector, a radar detector, an electric eye, an image sensor, any combination of them and the like. A variety of sensors can be chosen to practice the present invention.

A “controller” is broadly defined as any device that can receive, process and present information. For examples, a controller can be one microprocessor, several microprocessors coupled together, a computer, several computers coupled together, and the like.

The term “biosignature” means a marker for a particular signaling or metabolic pathway affected by an agent.

The term “analyte” means a material that can be consumed or produced by a cell. Examples of analyte of interest include pH, K, oxygen, lactate, glucose, ascorbate, serotonin, dopamine, ammonia, glutamate, purine, calcium, sodium, potassium, NADH, protons, insulin, NO (nitric oxide) and the like.

The term “flow” means any movement of fluid such as a liquid or solid through a device or in a method of the invention, and encompasses without limitation any fluid stream, and any material moving with, within or against the stream, whether or not the material is carried by the stream. For example, the movement of molecules or cells through a device or in a method of the invention, e.g. through channels of a microfluidic chip of the invention, comprises a flow. This is so, according to the invention, whether or not the molecules or cells are carried by a stream of fluid also comprising a flow, or whether the molecules or cells are caused to move by some

other direct or indirect force or motivation, and whether or not the nature of any motivating force is known or understood. The application of any force may be used to provide a flow, including without limitation, pressure, capillary action, electroosmosis, electrophoresis, dielectrophoresis, optical tweezers, and combinations thereof, without regard for any particular theory or mechanism of action, so long as molecules or cells are directed for detection, measurement or sorting according to the invention.

A “medium” is a fluid that may contain one or more agents, one or more analytes, or any combination of them. A medium can be provided with one or more analytes to be consumed by one or more cells. A medium can have one or more analytes generated by one or more cells. A medium can also have at the same time one or more analytes to be consumed by one or more cells and one or more analytes generated by one or more cells.

An “inlet region” is an area of a microfabricated chip that receives molecules or cells for detection measurement. The inlet region may contain an inlet channel, a well or reservoir, an opening, and other features which facilitate the entry of molecules or cells into the device. A chip may contain more than one inlet region if desired. The inlet region is in fluid communication with the main channel and is upstream therefrom.

An “outlet region” is an area of a microfabricated chip that collects or dispenses molecules or cells after detection, measurement. An outlet region is downstream from a discrimination region, and may contain branch channels or outlet channels. A chip may contain more than one outlet region if desired.

An “analysis unit” is a microfabricated substrate, e.g., a microfabricated chip, having at least one inlet region, at least one main channel, at least one detection region and at least one outlet region. A device of the invention may comprise a plurality of analysis units.

A “main channel” is a channel of the chip of the invention which permits the flow of molecules or cells past a detection region for detection (identification), or measurement. The detection and discrimination regions can be placed or fabricated into the main channel. The main channel is typically in fluid communication with an inlet channel or inlet region, which permit the flow of molecules or cells into the main channel. The main channel is also typically in fluid communication with an outlet region and optionally with branch channels, each of which may have an outlet channel or waste channel. These channels permit the flow of molecules or cells out of the main channel.

A “detection region” or “sensing volume” or “chamber” is a location within the chip, typically in or coincident with the main channel (or a portion thereof) and/or in or coincident with a detection loop, where molecules or cells to be identified, characterized, hybridized, measured, analyzed or maintained (etc.), are examined on the basis of a predetermined characteristic. In one embodiment, molecules or cells are examined one at a time. In other embodiments, molecules, cells or samples are examined together, for example in groups, in arrays, in rapid, simultaneous or contemporaneous serial or parallel arrangements, or by affinity chromatography.

A “branch channel” is a channel which is in communication with a discrimination region and a main channel. Typically, a branch channel receives molecules or cells depending on the molecule or cell characteristic of interest as detected by the detection region and sorted at the discrimination region. A branch channel may be in communication with other channels to permit additional sorting. Alternatively, a branch chan-

nel may also have an outlet region and/or terminate with a well or reservoir to allow collection or disposal of the molecules or cells.

A "gene" is a sequence of nucleotides which code for a functional polypeptide. For the purposes of the invention a gene includes an mRNA sequence which may be found in the cell. For example, measuring gene expression levels according to the invention may correspond to measuring mRNA levels. "Genomic sequences" are the total set of genes in an organism. The term "genome" denotes the coding sequences of the total genome.

"Preconditioning" is the process by which the physiological state of a cell or cells is adjusted by application of a known drug, toxin, analyte, or other chemical or physiological stimulus for the purpose of adjusting the response of the cell to a subsequently applied toxin. For example, if a cell is in a resting state, an agent that decreases metabolic level may not alter the cell's metabolism below the already-low resting state. But if the cell is preconditioned to be in a level of high metabolic activity, the subsequent application of that same agent would produce a much larger signal.

"Feedback" refers to the process by which a measured signal is amplified and transformed in a manner that it can be used to control or alter the property of the system in a manner that in turn affects the measured variable. Negative feedback would be feedback applied in a manner to reduce the amplitude of the measured variable. Positive feedback would be feedback applied in a manner to increase the amplitude of the measured variable.

"Actuator" is a device that can, under electrical, mechanical, or chemical control, or the like, perform an action in such a manner as to effect a change to a system. For example, a valve is an actuator that can control the release of an analyte.

"Feedback Control" is the process by which sensors and actuators are used to control the state of a system by means of positive or negative feedback, or both, such that the state of the system either remains constant in time or changes in accord with a desired sequence of changes. For example, the sensing of intracellular pH could be used to increase the flow of fluidic media into a cell to wash away the protons that are acidifying the sensing volume as a result of cell metabolism. As another example, a glucose sensor that detects a decrease in the glucose level in the sensing volume could use an actuator to increase the inflow of glucose into the sensing volume to stabilize the glucose levels to which the cell is exposed despite metabolic changes that affect the cell's utilization of glucose. The feedback signal can in turn provide direct information about, for example, the glucose consumption of the cell.

"Reaction time" is the time that a system of interest requires to respond to a change. For example, the reaction time of a cell is the time required for at least one of the physiological processes of a cell to adapt or respond to the application of an agent. The reaction time of a sensor is the time required for the sensor to respond to a change in the quantity that it is sensing. For example, the reaction time of an electrochemical sensor is set by the size of the sensor and the thickness and nature of protective coatings on the activated surfaces of the sensor. The reaction time of a microfluidic system is determined by the reaction time of the cell to changes in the environment, the time required for chemical species to diffuse throughout the sensing volume, the reaction time of the sensor(s), the reaction time of the actuators and the diffusion time of the analyte being controlled by the actuators. It follows that stable feedback control of a physiological parameter requires that the diffusion, sensor and actuator reaction times are less than the reaction time of the cell.

## OVERVIEW OF THE INVENTION

In one aspect, the present invention relates to a system and methods for using biological material to discriminate an agent. In one embodiment as shown in FIG. 1, a system **100** according to the present invention includes a plurality of cells **105**, where each cell has multiple metabolic pathways **104** for metabolic events. The system **100** further includes a first structure **101** for receiving the plurality of cells to form a biolayer, where the first structure **101** has a plurality of sensing volumes, and each sensing volume is in a conditioned environment capable of receiving and maintaining at least one cell. As such formed, cells **105** may be coupled together and communicate to each other.

The system **100** additionally includes an array **102** of sensors **106** positioned underneath the biolayer **101** for simultaneously monitoring of multiple metabolic pathways **104** for each of the plurality of cells, where each metabolic pathway may be disturbed in the presence of an agent (not shown). The system **100** further includes at least one controller **107** coupled to each sensor **106** of the array **102**. When an agent invades the conditioned environment, the array of the sensors **102** detects the changes of metabolic events for at least one of the cells and generates at least one signal in response, and the controller **107** receives the signal from the array of sensors **102** and identifies the agent from the signal. The controller **107** further includes means for quantifying the agent from the measured response. Thus, among other things, contrary to traditional approaches to discriminate an agent from testing the agent, one aspect of the present invention is to discriminate, and quantify, an agent from the response of a living cell to the agent.

Moreover, because a living cell behaves as an analog computer, it can be programmed. However, the cell controls its physiological status through an internal cellular control mechanism. Therefore, in order to program the cell, i.e. direct the cell to do what it is taught to do, the internal cellular control mechanism of the cell has to be overridden. Historically, a limited set of interventions has allowed physiologists and engineers to study living cells and characterize the feedback control systems that govern cell function. With the advent of genetic engineering, it is now possible to reprogram the genetic machinery of a cell, for example to turn a particular gene on or off, or to produce large quantities of a particular biochemical. However, as yet there has been little work on inserting man-made devices into the control system of a single living cell so as to convert the cell into a programmable computational engine. The present invention merges cellular biophysics, microcircuits and microfluidics, and information technology to create programmable Multicellular Bio-Silicon Hybrid Microsystems such as system **100** as shown in FIG. 1, which serve as biological computing engines having an array of interconnected and instrumented living cells with associated control and modeling software; and a biophysical infospace design environment required to program and analyze output from these Microsystems.

Thus, as shown in FIG. 1, in addition to sensors **106**, the physical layer **102** may further include microbottles, picocalorimeters, microfluidics, and controllers, some of them according to the present invention are discussed in more detail below. Additionally, the system **100** has infolayer **102** that may have reconfigurable digital and analog software, programmable digital signal processors (DSPs) and at least one controller **107** (which may itself be a DSP), which provides an integrated computational structure to receive measurements and compute signal identification procedures to detect and identify agents including toxins, and control cel-

lular actuators. Sensors 106 can be multispectral sensors that measure and transduce multiple cell parameters and control cell environmental parameters via actuators and effectors. The system 100 may further have a biophysical infospace design environment 108 that includes software CAD/CASE tools that allow user(s) 109 to design algorithms for the computational structure 113 which supports multiple customized interfaces for the users 109 who, for examples, may include microbiologists, hardware/sensor engineers, diagnostic experts and the like. The computational structure 113 includes system models such as cellular metabolic processes and modeling 110, physical sensor and effectors on the sensor system 111, and identification and diagnosis procedures and decision models 112. Software generators 114, which may be embedded in one or more computers such as a network, automatically convert models 110, 111, and/or 112 into executable code(s) to program the infolayer 103 including controller 107, which in turn communicates and controls with the biolayer 101 through the physical layer 102, and to drive biological simulators 115, whose output 116 can be used to verify algorithms and procedures defined in generators 114 prior to implementation in the biolayer 101, the physical layer 102, and the infolayer 103.

Accordingly, the system 100 provides a programmable cellular microsystem that has a true bi-directional, bioionic-silicon interface. Development of the system 100 and related devices involves not only the building of cell-based biosensors, but also the creation of biological and solid-state processes needed to form a functioning assembly of sensors and actuators. One challenge is to identify the computations or tasks for which this technology is best suited. Nevertheless, the present invention provides multiple biosilicon microsystems that can be combined to form larger analog biomicrocomputers capable of solving particular classes of problems with higher speed and lower power consumption than could be implemented in silicon and software.

In one application, the system 100 can be utilized to discriminate an agent. In one embodiment, at least one cell 105 is provided and is exposed to the agent, which may be contained in a medium, the response of the cell to the agent is measured in terms of a physical quantity related to at least one of the cellular physiological activities of the cell, and from the measured response the agent can be identified. Furthermore, the agent (such as its concentration in the medium) can be quantified from the measured response. When cell(s) are used as a canary to detect an agent, the present invention has the tremendous advantage of non-specificity, in that it reveals information only about overall cellular metabolic activity and hence it is not necessary to develop a particular sensor for each anticipated agent such as toxin.

In another embodiment, at least one cell is provided and is exposed to the agent, which may be contained in a medium, the response of the cell to the agent is measured, where the response of the cell to the agent is characterized by a reaction time, at a time period shorter than the reaction time, and from the measured response the agent can be identified. Furthermore, the agent (such as its concentration in the medium) can be quantified from the measured response. The response can take various forms including a temporal response of the cell to the agent, which is measured in at least two measurements. The time between the measurements is shorter than the reaction time corresponding to the temporal response of the cell. Indeed, as discussed below, among other things, one aspect of the present invention is that it provides devices and methods in which the diffusion time from the cell to the sensor is comparable to the response time of the sensor such that the

response of the cell to the agent can be measured faster and better than what prior art could offer.

Exemplary devices and methods according to the embodiments of the present invention are given below. Note that titles or subtitles may be used in the examples for convenience of a reader, which in no way should limit the scope of the invention.

## EXAMPLES

### Example 1

#### Biosignatures Matrix

In one aspect of the present invention, a wide-spectrum, activity-detection technology is developed that employs several novel cell and membrane-based sensing technologies, in order to provide a complete bio-functional signature of a CBW agent, unknown drug, or other threat. The bio-functional signatures can be used with advanced algorithms to discriminate between different agents. The system and devices are extraordinarily versatile and general; because one unique feature of the present invention, among other things, is that the biological impact of the toxins is detected and measured, rather than the toxins themselves.

Today, biosensors use biological molecules (antibodies, enzymes, nucleic acids, etc.) for specific agent detection via specific binding reactions. Wide-spectrum detection is expensive, requiring a priori threat knowledge and a large quantity of specific cells. Assays are susceptible to overload from multiple threats and false detection and from non-pathogenic 'spooft' organisms. Furthermore, addressing new threats involves a lengthy, costly design process. In addition, conventional assays do not, employ cellular machinery to increase sensitivity.

An alternative is to monitor the state of a set of optimized biological systems so that a departure from normal homeostasis sounds an alert of a possible CB attack. A broad set of physiological tests on a combination of receptor, ion-channel, cell, and tissue-based biosensors can provide a rapid, sensitive, and accurate differential diagnosis of cellular pathophysiology. One challenge is to develop sound methods for achieving clear signatures of the patho-physiological effects of CBW agents. This approach discerns both the identities of known CBW agents, and the mechanism of action for unknown agents. Such information will help guide countermeasures.

Accordingly, a spectrum of on-line biosensors for physiological responses in model systems or living cells are developed, in order to obtain and discriminate bio-functional signatures of CBW agents. These biosensors can measure heat generation, metabolic products, ion-channel conductance, transmembrane potential, intracellular conductance, the expression of optically tagged proteins for cardiac myocytes, neurons, and endothelial cells, and intracellular and intercellular signalling, which includes the secretion of neurotransmitters, hormones, and growth factors. These modalities are chosen to span the broad range of physiological mechanisms affected by the spectrum of possible CBW agents. The multiphasic measurements can be used to track toxin-induced, temporal responses, and test hypotheses regarding prophylactic or therapeutic measures in support of a differential diagnosis.

Referring now to FIG. 9, in one embodiment, the present invention relates to a method for using biological material to discriminate an agent. A matrix of biological signatures 900 constructed according to one embodiment of the present

invention is shown in FIG. 9. Matrix **900** conceptually represents a hypothetical table or process used to specify cell species, measurement methods, and expected/measured responses for definition of identification algorithms related to the discrimination of agents. As shown in FIG. 9, column **901** represents cell species, i.e., cells, which are utilized to discriminate an agent. Column **902** represents devices that are used to make corresponding measurements, where each measurement measures a biological signature of one of a plurality of cells in response to an agent. Note that while some of devices given in column **902** are examples according to embodiments of the present invention, which are disclosed in this specification, other devices and even some existing technologies can be utilized to practice the present invention. Column **903** represents measurable quantities or attribute/product to be measured. Column **904** represents outputs of the measurements, i.e., the expected or measured response of the cell/attribute for each of the agents of interest, including the change from nominal/steady state for a cell and the signal-to-noise of the measurement. Furthermore, the matrix **900** is an open-ended, i.e., it can be expanded to include specifications for additional cell types **905** as well as identification for additional agents **906**. In other words, the total number of elements for column **902** (number of cells),  $N$ , the total number of elements for column **903** (number of measurable quantities) and even total number of elements for agents **906** (number of agents) are adjustable. It means that, for example, it does not require the development of specific assays to new agents such as known or unknown toxin threats. This generality arises because the present invention allows one to measure the biological impact of toxins rather than the toxins themselves.

FIG. 9A shows a matrix of biological signatures **950** constructed according to another embodiment of the present invention. As shown in FIG. 9A, matrix **950** has a dimension of  $N \times M$ , where  $N$  represents cell species or cell lines such as HeLa, NB, and HepG2. Each cell line may have a number of cells participating. Thus,  $N$  may also reflect the total number of cells that are utilized to discriminate an agent.  $M$  represents the total number of the plurality of measurable quantities such as pH, DO, Glucose, Lac,  $\text{CO}_2$ , NADH as shown in FIG. 9A. When the one or more cells **951** are exposed to an agent such as a toxin, one or more measurable quantities **953** of the one or more cells responsive to the agent are measured, generating a plurality of outputs **957**. Each of the outputs **957** is an element of the matrix **950** that represents a biological signature corresponding to a particular cell responsive to the agent. For examples, element **961** represents the measurement of analyte pH for an HepG2 cell responsive to toxin **954**, element **963** represents the measurement of analyte DO for an HepG2 cell responsive to toxin **954**, etc. The measured measurable quantities of the plurality of cells **951** responsive to the toxin **954**, i.e., outputs **957**, can then be compared with the corresponding biological signatures of the matrix **950**, which can be obtained through calibrating the matrix from a plurality of chemical agents once the matrix is formed and stored in a model data base. From the comparison, the toxin can be identified. Note that each output **957** has amplitude, from which the toxin can be quantified through the comparison, which is another unique feature of the present invention over the existing technologies. The measured measurable quantities, outputs **957**, can be stored in a database associated with a memory device (not shown) for further processing, analyzing, feedbacking, or the like.

Outputs **957** can be obtained in several ways. In one embodiment, for example, one can start to measure element **961** in the first row, then element **963**, until all elements in the

first row of the matrix **950** have been measured. Then, one can continue to measure element **971** in the second row, then element **973**, until all elements in the second row of the matrix **950** have been measured. This process is repeated for the rest rows of the matrix **950** until all biology signatures corresponding to the elements in all  $N$  rows of the matrix have been measured. This process of measurements may be termed as an orthogonal measurement. Note that the elements in all  $N$  rows of the matrix can be measured simultaneously. Alternatively, the elements in all  $N$  rows of the matrix can be measured in sequence, or any way one chooses to proceed. It will be appreciated that the method described above is just one of many ways to get the elements of the matrix measured. For example, one is free to pick any element of the matrix as a starting point to measure. Alternatively, one can pick several (up to all) elements of the matrix to be measured simultaneously.

Calibration(s) may be performed before the measurements. Moreover, before the measurements, preconditioning agents may be applied to the cells **951** to place the cells in a desired physiological state. Cells **951** can be placed in one or more chambers **958**. Each chamber **958** may receive one or more cells. Additionally, during the measurements, a medium containing analytes may be supplied to cells in each chamber so as to maintain a preconditioned environment to keep the cells of interest alive. Different chambers may receive different mediums in term of content through proper fluid control. Moreover, the exposure of the cells to the agent needs to be kept under a threshold of exposure for irreversible cell damage or cell death to keep the cells of interest alive. The exposure of the cells to the agent can be adjusted according to the measured measurable quantities. Some or all of the activities discussed above can be coordinated, performed, or processed by a computer or a computer associated with a network.

Outputs **957** can be obtained through various apparatus. In one embodiment as shown in FIG. 9A, a sensor array **952** is utilized to measure the measurable quantities of at least one of the plurality of cells responsive to the agent. Sensor array **952** includes a plurality of sensors, which may be same or different. Some or all of them may be devices provided by the present invention such as sensor **956**, which is a NanoPhysiometer as discussed in more detail below. Sensor array **952** may be considered as a matrix of sensors corresponding to the matrix of biological signatures **900**.

Referring now to FIG. 10, response of cells to certain toxin is shown. In FIG. 10, measured acidification rate of cultured cells, when exposed to a stepped increase in a toxin, followed by washout. Line **1001** represents acidification response of hepatocytes to parathion. Line **1002** represents response of hepatocytes to paroxon. Line **1003** represents response of neuroblastomas to parathion. And line **1004** represents response of neuroblastomas to paroxon. FIG. 10 shows the dose-response of a change in pH induced by agents in cell cultures of  $\mu\text{L}$  volumes. FIG. 10 uses published data of parathion (open symbols) and paroxon (filled symbols) on metabolic activity of human hepatocyte and neuroblastoma cells obtained with a commercially available CytoSensor™ instrument, which also shows that commercially available instruments may be modified and utilized to practice the present invention.

FIG. 15 shows the response of optical beacons to a binding event as a means to identify the expression of particular mRNA in response to toxins and agents. Upon exposure to Interferon- $\gamma$  at **1501**, synthesis of mRNA is triggered at **1502**. The resulting mRNA **1504** then binds with a molecular beacon **1503** in a manner that the ends of the molecular beacon are no longer in close proximity, so that the resulting beacon



mRNA complex fluoresces **1505**. FIG. **16** schematically indicates that when hybridized with a complementary oligonucleotide, the hairpin structure linearizes, distancing the fluorophore and quencher to yield fluorescence. In other words, existing optical molecular beacon technology can also be utilized practice the present invention.

An example of cellular pathways can be monitored with discrimination matrix **950** and sensor array **957** of the present invention. Cellular processes are metabolically-driven, energy-requiring events. The basal energy requirements are derived from the oxidation of metabolic substrates, e.g., glucose **1602**, either by oxidative phosphorylation **1611** involving the aerobic TCA or Krebs's cycle **1609** or anaerobic glycolysis **1602**. When glycolysis is the major source of energy, the metabolic activity of cells can be estimated by monitoring the rate at which the cells excrete acidic products of metabolism **1605**, e.g., lactate **1606** and CO<sub>2</sub> **1607**. In the case of aerobic metabolism, the consumption of extracellular oxygen **1603** and the production of oxidative free radicals **1604** are reflective of the energy requirements of the cell. Intracellular oxidation-reduction potential can be measured by autofluorescent measurement of the NADH **1611** and NAD<sup>+</sup> **1610** ratio. The amount of energy, e.g., heat **1608**, released by the cell is derived from analytical values for substances produced and/or consumed during metabolism which under normal settings can be predicted from the amount of oxygen consumed (4.82 kcal/l O<sub>2</sub>). The coupling between heat production and oxygen utilization can be disturbed by toxins. Direct microcalorimetry measures the temperature rise of a thermally isolated sample. Thus when combined with measurements of oxygen consumption calorimetry can be used to detect the uncoupling activity of toxins. The devices disclosed in this specification are designed to measure, among other things, the following variables: glucose **1602**, lactate **1606**, CO<sub>2</sub> **1607**, NADH **1611** and NAD<sup>+</sup> **1610** ratio, heat **1608**, O<sub>2</sub> consumption **1603**, and free-radical production **1604**. Some metabolic activities of cells of interest are listed in the following Table 1.1.

TABLE 1.1

|   |   |  |
|---|---|--|
| Glucose + 2 ADP + 2 NAD <sup>+</sup>                                  | → | 2 Pyruvate + 2 ATP + 2 NADH                                    |
| Pyruvate + NADH   | → | Lactate + NAD <sup>+</sup>                                     |
| Pyruvate + CoA + FAD + GDP + 3 NAD <sup>+</sup> + NAD(P) <sup>+</sup> | → | 3 CO <sub>2</sub> + FADH <sub>2</sub> + GTP + 3 NADH + NAD(P)H |
| 0.5 O <sub>2</sub> + 3 ADP + NADH                                     | → | 3 ATP + NAD <sup>+</sup>                                       |
| 0.5 O <sub>2</sub> + 2 ADP + FADH <sub>2</sub>                        | → | 2 ATP + FAD  |

The energy requiring events within the cells are sensitive to the availability of energy in the form of ATPase and NADH (NADPH) to sustain the activity. Those energy-consuming events include maintenance of the membrane potential, intracellular pH, and osmotic balance. Moreover, many of the cell signaling events that control cell growth, programmed cell death (apoptosis), cellular cytoskeleton and cell specific function (e.g., immune response of macrophages and gluconeogenesis and albumin synthesis by hepatocytes) are very sensitive to metabolic stress. Thus, one aspect of the present invention is to take advantage of the unique characteristics of cells to develop signatures that will allow for discrimination. For example, the sodium potassium ATPase, which is the major consumer of ATPase in the resting cell, is reliant on adequate cellular ATPase availability to maintain a transmembrane potential. Without this potential, cell viability is dramatically compromised. Toxins that target the pump or the cellular ATPase levels will produce identifiable and measurable signatures.

The approach to monitor specific metabolic pathways has the tremendous advantage of non-specificity, in that it reveals

information about overall cellular metabolic activity and hence it is not necessary to develop a particular sensor for each anticipated toxin. Yet by monitoring specific features of the metabolic response in multiple cells types, we can define the discrimination algorithm. Clearly the response to a toxin can be cell specific. For example, the ECBC laboratory demonstrated that parathion and paraoxon have opposite effects on hepatocyte and neuroblastoma cell metabolism. The cell lines utilized in the present invention include, for examples, macrophages (PBMC, U937), liver (HEPG2, CCL-13, H4IIE), neural (HTB-11) and endothelial (HUV-ECC-C), and intestinal (CCL-6) cells. They represent cells that are derived from organs, which are targets of biotoxins. The liver is a major target of toxins (aflatoxin, organophosphates, viral hepatitis) both because of its anatomical location, (i.e., is exposed to all toxins absorbed via the alimentary tract) and because it is metabolically active and plays such a central role in biotransformation in the organism. The intestine is directly exposed to toxins (e.g., bacteria, virus, enterotoxin) entering via the oral route. Neuronal cells are targets of a number of toxins (organophosphates) that alter ion channel function.

Macrophages serve as one of the most important sentinels for the presence of many biotoxins. They are ideally located at the major routes of potential toxin entry: respiratory airways, intestine, liver and skin. The alveolar macrophage (AM) lives on the mammalian bronchial surfaces and is exposed to inhaled polluted air. Acting as a scavenger, it protects the pulmonary tissue from invading microorganisms and inhaled particles and hence is an ideal sentinel for air quality. Macrophages upon stimulation have a characteristic "respiratory burst". This is manifested as a large increase in oxygen consumption and oxygen free radical production. The free radicals inactivate toxins such as viruses and bacteria. Given their robustness and the rapidity of the "respiratory burst" responses to toxins, macrophages can serve as early responders in the discrimination matrix **950**.

An example of toxin discrimination by simultaneous monitoring of multiple metabolic signals according to the present invention following the exposure of some toxins is shown in FIGS. **17A** and **17B**. FIGS. **17A** and **17B** illustrate how the discrimination of different analytes can be realized with a multi-sensor array of the present invention, and how one can deduce which metabolic pathways are targeted by the agent. In FIG. **17a**, it shows an example of the physiological signatures (energy and metabolic) produced by the chemical Dinitrophenol (DNP), which uncouples ATPase synthesis from heat production and oxygen consumption. The result is that to perform the same cellular processes, more oxygen, represented by line **1703**, is consumed and more heat, represented by line **1701**, and carbon dioxide, represented by line **1702**, are generated by less efficient systems such as glycolysis. Glucose uptake, represented by line **1704**, increases significantly, but lactate release, represented by line **1705**, increases only slightly. Thus, the physiological signature of DNP will be a rise of oxygen consumption and heat production. In the case of cyanide in FIG. **17b**, the heat production **1711**, glucose uptake **1714**, and lactate release **1715** increase while CO<sub>2</sub> production **1712** and O<sub>2</sub> consumption **1715** decrease, respectively.

Generally in response to stress, the increase in heat production is driven by an increase in the metabolic requirements of the cell. This increase may be met by a general increase in oxygen consumption that is driven by an increase in mitochondrial respiration and oxygen consumption. The increase in caloric requirements can be met by a facilitation of glucose entry. The glucose can either enter the glycolytic pathway and be released as lactate or it can be completely oxidized to

carbon dioxide and water via mitochondrial respiration. Depending on the site of action of the toxin, and the cell type, one or both pathways may be used. Some toxins (e.g., cyanide) target mitochondrial respiration. Thus, despite adequate oxygen availability, the cell is unable to use oxygen to make ATP. Thus, glycolysis (glucose conversion to lactate) serves a greater role in meeting the energy demands of the cell and the release of carbon dioxide is not longer the primary fate of the glucose carbon and instead lactate release increases with glucose uptake. In contrast other agents such as DNP (dinitrophenol) decrease the efficiency of the mitochondrial process such that the oxygen requirements are greater for a given ATPase requirement of the cell. The result is that the cell consumes more oxygen and produces more heat to meet the ATPase demands. This may manifest as a unique signature whereby oxygen consumption and heat production both increase. To meet the increase in energy demands, glucose uptake is increased. In this case as shown in FIG. 17a, there will be a corresponding increase in CO<sub>2</sub> production. However, that does not require the use of the inefficient glycolytic pathway to meet the cellular needs and lactate release will increase only slightly. Thus, unique biological signatures can be developed by tracing the time course and amount of glucose uptake and subsequent oxidation and/or conversion to lactate in response to a given toxin.

FIGS. 18A and 18B displays the discrimination of toxins/agents by monitoring characteristic temporal response of cellular phenotype to toxins. Since the devices provided by the present invention are small, the temporal response is expected to be measured with millisecond resolution. Different agents such as toxins act on different time scales that will be used for discrimination. As an example shown in FIG. 18A, upon stimulation with endotoxin or phorbol esters, macrophages have an oxidative burst in which oxygen consumption, represented by line 1801, increases rapidly and markedly. Interestingly, this increase is not as dependent upon mitochondrial function as is seen in the liver. In macrophages endotoxin and phorbol esters activate a cytosolic enzyme (NADPH oxidase) that catalyzes the reaction ( $\text{NADPH} + 2\text{O}_2 \rightarrow \text{NADP}^+ + 2\text{H}^+ + 2\text{O}_2^-$ ). Hydrogen peroxide ( $\text{H}_2\text{O}_2$ ) is produced by dismutation of  $\text{O}_2^-$ , represented by line 1802. The free radicals generated in turn are cytotoxic due to its rapid conversion to  $\text{OH}^-$  and other radicals. Thus, the increased consumption of oxygen is less dependent upon a mitochondrial response and is more rapid in onset and greater in magnitude than that of the liver, as shown below, the peak response is within five minutes and is paralleled by a rapid increase in free radical formation. In contrast, energy expenditure in hepatocytes, as shown in FIG. 18B, is increased when challenged by agents, as shown by the increase in  $\text{O}_2$  consumption 1811. But this is accompanied by only a modest rise in free radical production 1802, primarily mitochondrial in origin. Therefore, the characteristics of the biological signature can vary markedly both in terms time of onset, rate of rise, magnitude, and deactivation rate of the individual metabolic or energy signature.

As displayed in these figures, the energy signature of the activated macrophage and the stimulated hepatocyte can be markedly different. Macrophages have a characteristically rapid increase in oxygen consumption, which wanes despite the presence of the stimulus. In contrast the hepatocyte exhibits a response that is slower in onset and sustained until the removal of the stimulus. The controlled addition of a known amount of endotoxin will result in an increase in hepatic energy consumption to support the very high metabolic activity of the liver. When unknown toxins are administered that uncouple or inhibit this process, for example dinitrophenol or cyanide, the normal energy demanding functions of the liver,

such as gluconeogenesis, are compromised. The consequent cell specific change in metabolic activity can be monitored and used as a canary to detect toxins.

FIGS. 19A and 19B show discrimination by characteristic responses in a conditioned environment. In particular, the difference in lactate release, represented by line 1901, following VX exposure is dependent upon preexposure to phenobarbital, with no preexposure shown in FIG. 19A and preexposure in FIG. 19B, respectively. Preconditioning cells prior to toxin exposure can both serve to amplify a response to a toxin and help in the discrimination between toxins when the cells expose to more than one toxin. Cultured hepatocytes have limited capacity to sustain a gluconeogenic response to regulators of this process. However, prior exposure to dexamethasone markedly improves their response to the normal regulators. By enhancing the baseline gluconeogenic rate, specific inhibitory effects of toxins can readily be detected. Moreover, prior exposure to drugs, which enhance the metabolism of a cell, could be used to discriminate agents. Organophosphates inhibit acetylcholinesterase activity. The data are shown in FIG. 10.

The nerve gas VX and other organophosphates inhibit glycolysis in neuroblastoma cells. However, pre-exposure of neuroblastoma cells to Phenobarbital may enhance the enzyme cytochrome P450, which in turn may result in the cellular conversion of these toxins to a more potent toxin (bioactivation). Thus following bioactivation of hepatocytes with Phenobarbital, the reduction of glycolysis with VX and parathion may be markedly enhanced.

FIG. 20 displays discrimination by characteristic reaction kinetics of metabolic pathways. The metabolic signatures of hepatocytes exposed to a change in glucose concentration in the absence, represented by line 2001, and presence, represented by line 2002, of okadaic acid are shown, respectively.

Additionally, environment may be manipulated to determine where in a given metabolic pathway the toxin is acting. This may be most effective if a toxin takes advantage of a metabolic signaling pathway to exert its action. One important pathway in cell signaling that is affected by a number of toxins is the protein kinase A/cyclic AMP system. This system when activated has profound and well-characterized metabolic responses, which include increases in gluconeogenesis and glycogen breakdown, and inhibition of glycolysis. As one example of pathway modulation, the response of a hepatocyte to an increase in the available glucose will depend upon whether an agent blocks a particular enzyme pathway. Okadaic acid and microcystins inhibit protein phosphatase 1 and 2A activity. Okadaic acid has been shown to regulate cyclic AMP mediated events. Thus in the presence of okadaic acid, an increase in glucose concentration will not increase hepatic glucose uptake.

Other toxins may alter glycogen metabolism as well via their effect on cell signaling pathways. An increase in lactate release that is disproportionate to the increase in glucose uptake, this would suggest an endogenous source of glucose (i.e., glycogen). Increases in lactate release proportional to the increase in glucose consumption could reflect toxins that either increases cyclic-AMP or intracellular calcium (e.g., organophosphates including the chemical warfare agents Sarin and VX). Increases in cyclic-AMP or calcium will activate hepatic glycogen phosphorylase, which will enhance glycogen breakdown. Since glycogen is a glucose polymer, upon its hydrolysis the cell will release glucose or metabolize the glucose and release it as lactate. By applying specific measurements of intracellular calcium and calcium conductance, for example, one may combine knowledge of meta-

bolic pathways with specific manipulations that allow one to dissect how a specific toxin exerts its action on metabolism.

FIG. 21 shows the shape of the action potential of excitable cells as an integral sensing concept to access the physiological state of the cell. The control action potential of a cardiac cell, represented by line 2101, and the action potential following agent washout, represented by line 2102, are a factor of four longer in duration than the action potential in the presence of Soman, represented by line 2103. Thus, measurement of the shape of the transmembrane action potential can serve as a sensitive but non-specific indicator of the effect of an agent on a cell, and it may even allow discrimination between agents. The action potential can also be used as an initial way to detect the influence of the toxin agent on ion channels and ion pumps.

The effect of Soman on an action potential of a neuron is shown as an example. The course of the action potential depends on the proper function of various ion channels and functionally associated enzymes. Block of individual channels, like sodium channels with TTX, results in an immediate change of the action potential, which is easily detected. Likewise, blocking an associated enzyme, like the Na/K exchanger with Oubain, results in a marked change of the action potential. Blocking the Ca-channel in cardiac tissue with verapamil changes the shape of the action potential dramatically, which could be extracted from the data and being reflected in the action potential duration. For neural cells more so than for cardiac cells, the fitting of a Hodgkin-Huxley-type model to the observed action-potential shape can be used to estimate the conductance variation of key channels.

Thus, among other things, the present invention provides a matrix of biological signatures that can be used to define an orthogonal set of cell lines, assays, and measurements for detecting previously known or unknown toxins, determining mechanisms of toxin activity through real-time biochemistry and autonomous hypothesis generation and testing, and using a bio-silicon circuit to specify and deliver the appropriate antitoxin for cellular-level defense. Additionally, the matrix of biological signatures can be integrated into a field deployable, configurable, and fully automatic device to detect a large number of toxic agents with unsurpassed sensitivity, which does not require the development of specific assays to new toxin threats. Again, this generality arises because the present invention allows measuring the biological impact of toxins rather than the toxins themselves.

#### Example 2

##### Nanophyiometer and Bioreactor

In one aspect, the present invention relates to an apparatus for monitoring the status of a cell, more particularly, for screening physiological and biochemical effects of one or more cells on the nanoliter to picoliter scale. Such an apparatus according to the present invention may be termed as a Nanophysiometer, which in no way should limit the scope of the invention.

FIG. 7 schematically shows a first embodiment of a Nanophysiometer according to the present invention. In FIG. 7, device 700 has a sensing volume 704 filled with a solution of media containing a single or multiple cells 701. The solution of media in the volume 704 can be modified or changed using an inflow channel 708 and an outflow channel 707, which are parts of a channel 721 that is in fluid communication with a

supply or reservoir of media (not shown). The flow in each of the channels 707, 708 can be controlled by valves 703, individually or in cooperation.

The volume 704 is bounded on one side by a flexible membrane 705 that can be deflected, e.g., by pressurizing a closed volume 715 below the flexible membrane 705 through the channels 710 or 711, which are parts of a channel 723 that is in fluid communication with a supply or reservoir of fluid such as an air pump (not shown). The flow in each of the channels 710, 711 can also be controlled by valves (not shown), individually or in cooperation. Channel 723 is defined by a first substrate 731.

The volume 704 is bounded on the other side by a second substrate 733 having a first surface 735 and a second surface 737. The second surface 737 of the second substrate 733 and the first substrate 731 defines the channel 721. Several sensors 702 are positioned on the second surface 737 of the second substrate 733 to measure the concentration of analytes in the sensing volume 704. The sensors 702 could be thin film electrodes and can be used to measure various analytes in the sensing volume 704 to monitor the status of the cell 701. The sensors 702 are coupled through leads 709 to a sensing unit (not shown), respectively. Note that by deflecting the membrane 705 forces may be applied to the cell 701, in particular when the cell 701 is attached to the membrane 705, so that the response of the cell 701 to the applied force can be detected. Further note that device 700 can be utilized to grow a cell. For instance, a cell can be attached to the membrane 705, and the status of the cell can be monitored by sensors 702.

FIG. 12 schematically shows a second embodiment of a Nanophysiometer according to the present invention. In FIG. 7, device 1200 has a system support structure 1201 beneath a microfluidic channel 1202. The microfluidic channel 1202 is formed in a micromachined substrate 1205. A number of wells 1251 are in fluid communication with the microfluidic channel 1202. Epoxy 1203 provides a fluid-tight seal between the support structure 1201, the micromachined substrate 1205, and a cover 1204. Cover 1204 is transparent and supports an array of sensors 1206. Individual electrochemical sensors 1206 include enzyme-activated electrodes, and enzyme electrodes that can determine the extracellular fluidic composition and the consumption and release of metabolic substrate and byproducts when used in combination with silver/silver-chloride reference electrode 1207, gold counter electrode 1208 and an amperometric or potentiometric instrument 1215 that measures and/or applies voltages and/or currents for the combination of electrodes 1206, 1207, 1208. Oxygenated perfusate reservoir 1209, oxygen supply for the perfusate oxygenator, computer-controlled nanoliter syringe pump 1213 and check valves 1211 and 1212 allow the withdrawal by the pump 1210 of oxygenated perfusate 1213, and its subsequent injection through tubing 1214, to the microfluidic channels 1202.

Cells are placed into the wells 1251. Each well has a volume of less than 1 nL and may receive one or more cells to be confined therein. The electrochemical sensors 1206, 1207, 1208 monitor the metabolic state of each cell or cells. The microchannels 1202 with cross-sections on the order of 10  $\mu\text{m}$   $\times$  10  $\mu\text{m}$  supply analytes to the cells, remove waste, and allow for the introduction of biological agents into the wells. One to several cells can be placed into each well with a micropipette or through the fluid channels. Among other things, device 1200 has external pumps and valves for automated control of the flow and introduction of the analytes. Moreover, device 1200 has planar electrochemical sensors 1206, and nanoLiter sized volumes 1251 resulting in high sensitivity and fast response times. Additionally, device 1200

has on-chip sealed wells and channels for cell storage, delivery of analytes and biological agents, and removal of waste. Utilization of sensors **1206**, **1207**, **1208** having different electrochemical characteristics allows for multispectral readout. The transparency of the cover **1204** also makes optical detecting available.

Referring now to FIG. **13**, a third embodiment of a Nanophysiometer according to the present invention is shown. In FIG. **13**, device **1300** has both external valve actuators and on-chip pumps. Micromachined substrate **1320**, which can be formed in silicon, glass, ceramic, plastic, or polymer, defines microfluidic channels **1301**, which can be used as oxygen inlet for oxygenating the perfusate interfacing with a cell **1312**. An optional cover slip **1302** covers the microfluidic channels **1301**. Addressable piezoelectric nanoactuator array **1307** is supported by an actuator platform (or substrate) **1305** and support posts **1304**. Check valves **1311** allow the withdrawal of oxygenated perfusate from the reservoir **1303** and its injection into the microfluidic channels **1301** and sample wells **1308** that contain the living cells **1312**. The chamber corresponding to each well **1308** is drained by microfluidic line **1310**. Sensors in the form of interdigitated microelectrodes **1309** allow the electrochemical determination of analytes in each chamber **1308**. Optical detectors (not shown) can also be utilized through the cover **1302**, which is at least partially transparent.

Device **1300** shows how external pumps utilized in device **1200** as shown in FIG. **12** can be replaced with on-chip pumps making the device a standalone unit. Device **1300** could be match box sized incorporating, wells, sensors, pumps and actuators to achieve the goal of massively parallel testing. On-chip pumps can be a microscale version of the syringe pumps used in device **1200**. Using standard microfluidic technology, each pump will, for example, may have a reservoir covered with a flexible membrane. This membrane will be moved in or out by changing the length of a piezoelectric element. An array of individually addressable piezoelectric filaments can be utilized to provide separate actuation of multiple pumps. This actuator 'bed-of-nails' may also provide valving by pinching closed sections of the channels between the reservoirs.

An exemplary electrode can be utilized to practice the present invention including utilization in any embodiment of Nanophysiometer is shown in FIG. **26**. FIG. **26A** is a photomicrograph of the electrode array with platinum, iridium oxide, and platinum microstrips on a glass substrate. FIG. **26B** shows a pH calibration of the sensor. Such an Iridium oxide pH electrode can be used to form on a platinum interdigitated microelectrode array.

Referring now to FIG. **27**, a fourth embodiment of a Nanophysiometer according to the present invention is shown. In FIG. **27**, device **2700** has a first substrate **2721** and a second substrate **2723** defining a sensing volume **2704** therebetween. The sensing volume **2704** contains a single or multiple cells **2701** in sufficient close proximity to sensors **2702** designed to monitor the physiological status of the cell or cells **2701** such that any measurement related to the physiological status of the cell or cells **2701** can be made at a time period shorter than a characterization time corresponding to the physiological status of the cell or cells **2701**. The sensing volume **2704** is in fluid communication with a channel **2725**, which has an inlet portion **2707** and an outlet portion **2708**. The liquid media in the sensing volume **2704** can be refreshed or adjusted using the inlet **2707** and outlet **2708**, which in turn are controlled by valves **2703**, respectively. Measured signals from the sensor(s) **2702** can be read out through a connection **2709** to electronics such as a controller (not shown). Additional chan-

nels into the sensing volume **2710** can be used to deliver agents and other analytes to the sensing volume **2704**. The second substrate **2723** may be at least partially transparent for optical detecting. The device **2700** can be formed, for example, by fusing a first part containing the sensors and a second part containing the fluidic channel and the valves together.

Referring now to FIG. **28**, a fifth embodiment of a Nanophysiometer according to the present invention is shown. In FIG. **28**, device **2800** has an input channel **2808**, an outlet channel **2807** and an additional channel **2809**, which may be used as an additional outlet channel or to flush out the contents from a sensing volume **2802** that is in fluid communication with each of channels **2807**, **2808**, and **2809**. The liquid media in the sensing volume **2802** is changed or adjusted either continuously or in a stop flow fashion through actuation of the valves **2805** in the inlet **2808** and outlet channel **2807** by pressurizing the media in the inlet channel **2808**, respectively. The valves **2805** are actuated through lines **2803**, each being in fluid communication with a supply or reservoir of fluid such as pressured air. The inlet channel **2807** is equipped with a series of valves **2805** which can be actuated to act as a peristaltic pump. The same can be used for the outlet channel **2807**. The sensing volume **2802** is equipped with multiple sensors **2801** to monitor the physiological status of a single cell or cells **2804**. The sensors **2801** can take various forms. For examples, sensors **2801** can be in the form of functionalized thin film metal electrodes that are positioned in sufficient close proximity to the cell or cells **2804**. The surface of each sensor may have a coating that facilitates cell adhesion (not shown). The device **2800** can be formed, for example, by fusing a first part **2815** containing the sensors and a second part **2816** containing the fluidic channel and the valves together.

Referring now to FIG. **29**, a sixth embodiment of a Nanophysiometer according to the present invention is shown. In FIG. **29**, device **2900** has a valveless structure to trap or confine a cell **2907** in the sensing volume **2906** containing liquid media. The cell **2907** is placed in the sensing volume **2906** by flowing the cell **2907** in through an input channel **2903**. The sensing volume **2906** is in fluid communication with an output channel **2905**, which is optional and has a cross section smaller than that of the input channel **2903**. Another channel **2904**, which is in fluid communication with the sensing volume **2906**, may be used to deliver the cell **2907** to the sensing volume **2904**, or to remove the cell **2907** at the end of the measurement. The sensing volume **2906** is adapted such that it is not very much bigger than the size of the cell **2907** so only one or a small number of cells may enter the sensing volume **2906** at one time. In operation, once a cell or cells are placed in the sensing volume **2906** through a loading phase, the media in the channel **2903** is changed to a media corresponding to a measurement phase or maintenance phase. After the measurement phase, the channel **2903** can be pressurized to reverse the flow of the media to eject the cell **2907** from the sensing volume **2906**. The media of the sensing volume **2906** can be exchanged or adjusted either by diffusion from the input/output channel where a constant flow is of fresh media for maintenance or by appropriately dimensioning the additional output channel **2905** which leads to a flow away from the sensing volume **2906**. Multiple sensors **2901** are positioned in the sensing volume **2906** to monitor the physiological status of a single cell or cells **2907**. The sensors **2901** can take various forms. For examples, sensors **2901** can be in the form of functionalized thin film metal electrodes that are positioned in sufficient close proximity to the cell or cells **2907**. The surface of each sensor may have a coating that

facilitates cell adhesion (not shown). The device 2900 can be formed, for example, by fusing a first part 2912 containing the sensors and a second part 2910 containing the fluidic channel and the valves together.

Referring now to FIG. 30, a seventh embodiment of a Nanophysiometer according to the present invention is shown. In FIG. 30, device 3000 can be considered as a multi-trap version of the valveless nanophysiometer as shown in FIG. 29 and has a plurality of sensing volumes 3006, 3016, 3026 in an array with a common inlet channel 3003 and outlet channel 3006. More sensing volumes can be introduced. The additional channels 3007 lead to a common channel 3017, which also has an inlet channel 3004 and an outlet channel 3005. The sensors 3001 can be read out individually, or in cooperation, from each sensing volume containing one or more cells 3002, respectively.

All the embodiments of a Nanophysiometer according to the present invention shown above can be utilized, among other things, to monitor the status of a cell that consumes or produces energy. The energy consumption or production of the cell includes consumption of a chemical component by the cell that relates to the metabolic status of the cell, where the chemical component can be any of pH, K, oxygen, lactate, glucose, ascorbate, serotonin, dopamine, ammonia, glutamate, purine, calcium, sodium, and potassium. As an example, FIG. 31 shows the utilization of a Nanophysiometer according to the present invention, in particular, according to the embodiment shown in FIG. 28, to measure temporal response of cell or cells to changes in pH and oxygen.

More specifically, in FIG. 31A, without bounding to any theory, curve 3100 represents average pH as a function of time in a 100 pL well containing a single cell with no flow, based upon the assumptions that the well solution is initially at a pH of 7.2, and at time t=0, the cell begins producing lactate at a constant rate of approximately 6x10<sup>-10</sup> mmol/cell/hr. Thus, for a single cell in the well, there are approximately 2x10<sup>-13</sup> mmol of lactate produced per second. Finally, it is assumed that there is one proton produced for every lactate molecule produced. For a pH close to neutral this is a reasonable estimate, but in reality the ratio of protons to lactate molecules goes down as pH departs from neutral, so this model may overestimate the pH change, which, however, would limit the scope or validity of the present invention.

In FIG. 31B, curve 3102 represents the same data as shown in FIG. 31A, except it is plotted as a function of logarithmic time to show that the response is constant until the protons have time to diffuse from the cell to the electrode, which can be characterized by a diffusion time or diffusion constant. A good measurement should be done within a time period that is shorter than the diffusion time.

Note that the pH response of a system can be characterized by the time it takes for the pH to drop by a certain amount. For FIG. 31C, the initial pH is 7.2 and the "target" pH is 7.0. Using the model presented in FIGS. 31A and 31B, the time it takes for the pH to drop by 0.2 is a linear function of the system volume, as illustrated in the plot—a pL volume requires about 0.2 msec, whereas a microliter volume takes about 3 minutes.

Table 2.1 gives a list of events and corresponding characterization times for the events to take place. As one can see, some events related to changes in the metabolism of cells happen in a few milliseconds.

TABLE 2.1

| Events   | Characterization Time (Seconds)    |
|--|------------------------------------|
| 1. Mixing time to homogenize liquid in a large-scale bioreactor (10-100 m <sup>3</sup> ) | 10 <sup>4</sup> -10 <sup>8</sup>   |
| 2. 90% liquid volume exchange in a continuous reactor                                    | 10 <sup>5</sup> -10 <sup>6</sup>   |
| 3. Oxygen transfer (forced not free diffusion)   | 10 <sup>2</sup> -10 <sup>3</sup>   |
| 4. Heat transfer (forced convection)   | 10 <sup>3</sup> -10 <sup>4</sup>   |
| 5. Cell Proliferation, DNA replication   | 10 <sup>2</sup> -10 <sup>4</sup>   |
| 6. Response to environmental changes (temperature, oxygen)                               | 10 <sup>3</sup> -10 <sup>4</sup>   |
| 7. Messenger RNA synthesis   | 10 <sup>3</sup> -10 <sup>4</sup>   |
| 8. Translocation of substances into cells (active transport)                             | 10 <sup>1</sup> -10 <sup>3</sup>   |
| 9. Protein synthesis   | 10 <sup>1</sup> -10 <sup>2</sup>   |
| 10. Allosteric control of enzyme action  | 10 <sup>0</sup>                    |
| 11. Glycolysis   | 10 <sup>-1</sup> -10 <sup>-2</sup> |
| 12. Oxidative phosphorylation in mitochondria  | 10 <sup>-2</sup>                   |
| 13. Intracellular quiescent mass & heat transfer (dimension 10-5 μm)                     | 10 <sup>-5</sup> -10 <sup>-3</sup> |
| 14. Enzymatic reaction and turnover  | 10 <sup>-6</sup> -10 <sup>-3</sup> |
| 15. Bonding between enzyme & substrate, inhibitor  | 10 <sup>-6</sup>                   |
| 16. Receptor-ligand interaction  | 10 <sup>-6</sup>                   |

For further comparison, Dn=Diffusion time calculated for Oxygen, where n=25, and lactate n=5, for spherical geometry (indexed as "s") and cubic geometry (indexed as "c"), respectively, is given below:

$$D5 := 5 \cdot 10^{-10} \cdot \text{m}^2 \cdot \text{s}^{-1}, D25 := 25 \cdot 10^{-10} \cdot \text{m}^2 \cdot \text{s}^{-1}$$

$$i := 0 \dots 10, x_i := 10^{-i} \cdot \text{m}$$

$$t5_i := \frac{(x_i)^2}{2 \cdot D5} \quad t25_i := \frac{(x_i)^2}{2 \cdot D25}$$

$$V5_i := \frac{4 \cdot \left(\frac{x_i}{2}\right)^3}{3}; Vc_i := (x_i)^3$$

|                       |                       |                       |
|-----------------------|-----------------------|-----------------------|
| 1                     | 1 · 10 <sup>9</sup>   | 2 · 10 <sup>8</sup>   |
| 0.1                   | 1 · 10 <sup>7</sup>   | 2 · 10 <sup>6</sup>   |
| 0.01                  | 1 · 10 <sup>5</sup>   | 2 · 10 <sup>4</sup>   |
| 1 · 10 <sup>-3</sup>  | 1 · 10 <sup>3</sup>   | 200                   |
| 1 · 10 <sup>-4</sup>  | 10                    | 2                     |
| 1 · 10 <sup>-5</sup>  | 0.1                   | 0.02                  |
| 1 · 10 <sup>-6</sup>  | 1 · 10 <sup>-3</sup>  | 2 · 10 <sup>-4</sup>  |
| 1 · 10 <sup>-7</sup>  | 1 · 10 <sup>-5</sup>  | 2 · 10 <sup>-6</sup>  |
| 1 · 10 <sup>-8</sup>  | 1 · 10 <sup>-7</sup>  | 2 · 10 <sup>-8</sup>  |
| 1 · 10 <sup>-9</sup>  | 1 · 10 <sup>-9</sup>  | 2 · 10 <sup>-10</sup> |
| 1 · 10 <sup>-10</sup> | 1 · 10 <sup>-11</sup> | 2 · 10 <sup>-12</sup> |

37

-continued

|         |                        |               |                    |       |
|---------|------------------------|---------------|--------------------|-------|
| $V_s =$ | 166.667                | liter $V_c =$ | $1 \cdot 10^3$     | liter |
|         | 0.167                  |               | 1                  |       |
|         | $1.667 \cdot 10^{-4}$  |               | $1 \cdot 10^{-3}$  |       |
|         | $1.667 \cdot 10^{-7}$  |               | $1 \cdot 10^{-6}$  |       |
|         | $1.667 \cdot 10^{-10}$ |               | $1 \cdot 10^{-9}$  |       |
|         | $1.667 \cdot 10^{-13}$ |               | $1 \cdot 10^{-12}$ |       |
|         | 0                      |               | $1 \cdot 10^{-15}$ |       |
|         | 0                      |               | 0                  |       |
|         | 0                      |               | 0                  |       |
|         | 0                      |               | 0                  |       |
|         | 0                      |               | 0                  |       |

Oxygen noise 10 micromolar, sensitivity scales with area  
 Glucose noise 100 micromolar

$$r := \frac{((6.5 \cdot \text{mm}))^2}{2 \cdot D25}$$

Flux at surface; signal-to-noise scales with area:

$$r = 140.833 \text{ min}$$

$$F := \frac{1}{n \cdot e \cdot F \cdot A}$$

$$((0.00100 \text{ m})^3)^3 = 1 \times 10^{-9} \text{ liter}$$

Oxygen in water at 40° C.

$$D := 0.0000324 \text{ cm}^2 \cdot \text{s}^{-1}$$

$$D = 3.24 \times 10^{-9} \frac{\text{m}^2}{\text{s}}$$

FIG. 31D displays the results of the test of the Nanophysiometer with a platinum interdigitated array that senses oxygen. The microfluidic nanophysiometer 3101 is similar to the one as shown in FIG. 28. The oxygen sensing electrodes 3102 are coupled to a potentiostat 3103 and the computer 3104 that generates plots of the oxygen concentration as a function of time for fluid that is oxygen saturated 3105, perfused with ambient-oxygen 3106, or nitrogen sparged 3107. The rapid response 3108 shows that these electrodes can track oxygen changes that occur in tens of milliseconds, which is possible because, among other advantages, the device(s) of the present invention has sensor(s) positioned sufficiently close to the cell, i.e., at nano-scale dimension. In other words, the small (in term of dimension) is fast (in term of response), and the fast is better (in term of quality of signals, and thus applications).

FIG. 31E displays as an example an individually addressable interdigitated microelectrode array that can be used to practice the present invention. A 2 mm wide pad 3101 of platinum on the glass substrate is coupled to interdigitated microstrip electrodes 3102 and 3103 that are five microns wide and separated by five microns and thus forming a plurality of fingers. Each of the individual fingers can be coated with silver/silver chloride, gold, iridium oxide, or enzymes to determine what each microstrip may detect.

38

Example 3

Improved Sensor Head

In one aspect, the present invention relates to a device as shown in FIGS. 11(A)-(C) for detecting at least one analyte of interest either produced or consumed by at least one cell or cells 1107, wherein the at least one cell or cells 1107 is placed in a chamber 1128. In one embodiment of the present invention as shown in FIGS. 11(A)-(C), a device or a sensor head 1100 includes a body portion 1151 and a substrate 1153 defining a chamber 1128. The body portion 1151 can be circular, oval, square, or any other geometric shape cross-sectionally. In the embodiment shown, the body portion 1151 has a circular cross section. The substrate 1153 has a first surface 1155 and an opposite, second surface 1157. A membrane 1127 is positioned on the first surface 1155 of the substrate 1153. The membrane 1127 is partially transparent to allow optical signals passing through. For instance, in one embodiment as shown in FIGS. 11(A)-(C), the membrane 1127 comprises a Si/SiN membrane. An insert 1129 that contains the living cells 1107 is placed into the chamber 1128 and is sealed to the body portion 1151 by an O-ring 1136 that fits into a corresponding O-ring groove 1137 formed on the body portion 1151.

An inlet 1101 is in fluid communication with the chamber 1128 through an end portion 1122. Inlet 1101 may also be in fluid communication with one or more reservoirs of mediums (not shown), where each medium may contain a different analyte of interest. The device 1100 also has a first electrode 1124 having a first electrochemical characteristic, and a second electrode 1126 positioned away from the first electrode 1124 and having a second electrochemical characteristic. The device 1100 may further have a reference electrode 1125. In cooperation with the reference electrode 1125, the first electrode 1124 can detect a first analyte of interest either produced or consumed by at least one cell or cells 1107, and the second electrode 1126 can detect a second analyte of interest by at least one cell or cells 1107, respectively and simultaneously. Alternatively, in cooperation with the reference electrode 1125, the first electrode 1124 and the second electrode 1126 can detect one analyte of interest either produced or consumed by at least one cell or cells 1107 in the chamber 1128. Analytes of interest can be introduced to the chamber 1128 through the inlet 1101, 1122. An outlet 1104 is in fluid communication with the chamber 1128 through an end portion 1123 for introducing medium away from the chamber 1128.

The device 1100 may utilize an amperemeter electrically coupled to the first electrode 1124 and the second electrode 1126 for detecting a current as a function of the two analytes of interest either produced or consumed by at least one cell or cells 1107 in the chamber 1128. Alternatively, the device 1100 has a potentiostat 1103 electrically coupled to the first electrode 1124 and the second electrode 1126 for detecting a voltage as a function of the two analytes of interest either produced or consumed by at least one cell or cells 1107 in the chamber 1128. Meters such as potentiostat 1103 can be further interfaced to a data acquisition computer so as to save, process and analyze detected signals.

Moreover, the device 1100 may further have additional electrodes, each having a different electrochemical characteristic to one of the first electrode 1124 and the second electrode 1126 and being positioned away from the first and second electrode 1126s. For examples, the device 1100 may have a third electrode 1146 positioned away from the first electrode 1124 and the second electrode 1126. In the embodiment as shown in FIGS. 11(A)-(C), the first electrode 1124 is a gold

electrode and the second electrode **1126** and the third electrode **1146** both are a platinum electrode. Moreover, Additionally, the first electrode **1124** has a cross section larger than that of both the second electrode **1126** and the third electrode **1146**, which are substantially similar to each other for the embodiment as shown (they are indeed platinum wires). Using the platinum electrodes **1126** and **1146** as a counter electrode, the device **1100** adds the ability to perform electrochemical and spectrochemical analysis within the sensor head **1100**. Of course, the first electrode **1124**, the second electrode **1126** and the third electrode **1146** each can have different surface film, coating, shape, material modifications to accommodate the needs for detecting one or more desired analytes of interest.

Furthermore, the device **1100** has a fiber-coupled optical system **1102** that has a first end **1162**, a second end **1164** and an optical fiber body portion **1166** defined therebetween. The first end **1162** of the optical fiber body portion **1166** reaches in the chamber **1128** capable of detecting an optical signal related to the analytes of interest either produced or consumed by cell or cells **1107**. Thus, the fiber-coupled optical system **1102** can monitor fluorescence of the cells by light **1121** emitted into the chamber **1128**.

Thus, the device **1100** with the electrodes embedded in a chemically stable epoxy, can measure oxygen, glucose, lactate and oxidation-reduction potential in addition to the pH measurement that is currently available from the membrane **1127** in the bottom of the chamber **1128** and illuminated from below through an optical window **1138**, to form a light-addressable potentiometric sensor. The fiber-coupled optical system **1102** can use autofluorescence to measure intracellular NADH/NAD ratios and voltage and calcium-sensitive dyes to determine transmembrane potential and intracellular calcium. The ability of all sensors to function simultaneously allows the specification of a self-consistent set of metabolic fluxes.

Moreover, in one embodiment as shown in FIG. **14**, the fiber-coupled optical system **1102** can be coupled to an optical detector **1400**. The optical detector **1400** has an optional cover slip member **1420** having a first surface **1421** and a second surface **1423**, wherein the first surface **1421** of the cover slip **1420** is underneath the chamber **1428** in contact with substrate **1408**, and the second surface **1423** of the cover slip **1420** is optically coupled to a first end **1422** of an optical fiber **1403**. In one embodiment as shown in FIG. **14**, the cover slip member **1420** merges with the first end **1422** of the optical fiber **1403**. A light source **1402** optically coupled to a second end **1424** of the optical fiber **1403**. A beam splitter **1404** is optically coupled to the optical fiber **1403** and positioned between the light source **1402** and the cover slip **1420** for directing optical signals transmitted through the optical fiber **1403** corresponding to the optical response from a first direction to a second direction. And the optical detector **1400** further has an analyzer **1401** for receiving the optical signals directed by the beam splitter **1404**.

In operation, monochromator **1401** selects wavelength of light to be measured by the photodetector **1409**. The light source **1402** is coupled to an optical fiber **1403** and the dichroic beamsplitter **1404** that delivers light to the chamber **1428** where a droplet of perfusate **1405** containing at least one cell **1406**. The fiber **1403** is coupled through the transparent substrate **1408**, which is supported by sidewalls **1407**, to obtain the signals regarding the status of the cell **1406**.

Note that while the optical detector **1400** is discussed here in connection with a sensor head, the optical detector **1400** can be readily utilized with devices disclosed in other

examples of the present invention including the NanoPhysiometer, the well plates, the Microbottles, and the Picocalorimeter.

Additionally, the optical detection method and instrument of the present invention can be combined with any of the sensors disclosed in this specification. The optical detection method and instrument uses an optical fiber technique to illuminate the wells and to extract the fluorescence and luminescence signals. Imaging an entire cell onto a single sensor element offers greatly enhanced signal-to-noise ratios, among other things.

Perhaps with the exception of NADH/NADPH autofluorescence, the optical detection method and instrument may need the introduction of some fluorescent probes into the cell. Some fluorescence dyes do not require direct intracellular access and can be directly incorporated in the sensing platform and read out with the fiber optics system disclosed herein. Optical dyes could be administered and purged through the fluidics channels already incorporated in the cell physiometer.

To enhance the efficiency of wavelength separation, one may use Bragg-filters embedded in the optical fibers. Light indicator can either utilize a photomultiplier or a photodiode.

#### Example 4

#### Microbottles

In one aspect, the present invention relates to a device **500** for monitoring status of cell **501** or cells as shown in FIG. **5**. In one embodiment as shown in FIG. **5**, a device **500** includes a first substrate **550** having a first surface **551** and an opposite second surface **553**. The device **500** further has a second substrate **560** supported by the first substrate **550**. The second substrate **560** has a first surface **561**, an opposite second surface **563**, a body portion **502** between the first surface **561** and the second surface **563**, a first side surface **565** and an opposite second side surface **567**, wherein the body portion **502** defines a first passage **511** between the first side surface **565** and the second side surface **567** and an opening **569** on the first surface **561** of the second substrate **560** and in fluid communication with the first passage **511**. Sidewalls **571**, **573**, **575** are positioned above the first surface **561** of the second substrate **560**. The second substrate **560** can be made from semiconductor or insulating materials. In one embodiment, the second substrate **560** is made from silicon.

The device **500** also includes a third substrate **580** having a first surface **581** and an opposite second surface **583**. Sensors (not shown) can be added to the second surface **583** of the third substrate **580** having a first surface **581** and an opposite second surface **583** to measure the concentrations of analytes in the extracellular fluid **515** of chamber **590**, as can optical sensors **1400** in FIG. **14**, to measure intracellular and transmembrane physiological signatures as discussed above of the cells **501** in chambers **590**. The third substrate **580**, the sidewalls **571**, **573** and the second substrate **560** define a chamber **590** that is in fluid communication with a second passage **591** defined by portions of the sidewall **571** and the third substrate **580**. The second passage **591** is in fluid communication with a supply or reservoir of a medium (not shown). As it is shown, optionally, the third substrate **580**, the sidewalls **573**, **575** and the second substrate **560** define another chamber **592** that is in fluid communication with a third passage **595** defined by portions of the sidewall **575** and the third substrate **580**. The third passage **595** is in fluid communication with a supply or reservoir of a medium (not shown). The chambers **590** and **592** are in fluid communication through a passage **593** located

41

therebetween. The device **500** further includes a pair of first controls **509a**, **509b** positioned inside the first passage **511** for controlling the flow of a medium through the first passage **511** corresponding to chamber **590**. Additional first control **509c** can be utilized to control the flow of a medium through the first passage **511** corresponding to chamber **592** with or without first control **590b**. First controls **509a**, **509b**, and **509c** can work in any pair, in group, or individually. Note that although the device **500** is shown to have a two chamber structure in this embodiment, it can alternatively have a single chamber structure or an N chamber structure, where N is an integer greater than two.

The device **500** further includes at least one sensor **505** positioned in the first passage **511** proximate to the opening **569**, wherein a cell **501** is positioned in the chamber **590**. In one embodiment, the cell **501** is sealed to the second substrate **560** by at least one gigaohm seal **503**. The cell **501** has a membrane **541** forming a substantially enclosed structure and defining an intracellular space **543** therein. The intracellular space **543** of the cell **501** is in fluid communication with the first passage **511** through the opening **569** of the second substrate **560**.

The membrane **541** of the cell **501** defines an opening **549** through which the intracellular space **543** of the cell **501** is in fluid communication with the first passage **511** through the opening **569** of the second substrate **560**. The device **500** further includes a punching element **506** positioned underneath the opening **569** of the second substrate **560** for making the opening **549** on the membrane **541** of the cell **501**. The punching element **506** can be a mechanical device such as a pressure-based suction device (not shown) or an electroporation device such as an electric potential sucking device.

As such formed, the device **500** allows cells with intracellular and extracellular spaces in fluid communication through microfluidic channels such as passages **511**, **591**, **593**, **595**.

In one operation mode, when a first medium is introduced into the first passage **511**, the intracellular space **543** of the cell **501** is in fluid communication with the first passage **511** with the first medium, the sensor **505** measures the response of the cell **501** to the first medium. The response can be viewed as an intracellular response to the first medium, which may contain agent or agents. The measured signals can be amplified by amplifier **512** to generate an output **513** and/or transmitted to a controller **508** as a feedback, which in turn can control the flow of the first medium through fluid control **509b** (and **509a**, **509c**). The first medium can also be used to provide nutrition to the cell **501** and to maintain the cell **501** at a desired status.

In another operation mode, when a second medium is introduced into the chamber **590** through the second passage **591**, at least part of the membrane **541** of the cell **501** is in contact with the second medium in the chamber **590**, the sensor **505** measures the response of the cell **501** to the second medium. The response can be viewed as an extracellular response to the second medium, which may contain agent or agents. The measured signals can be amplified by amplifier **512** to generate an output **513** and/or transmitted to a controller **508** as a feedback, which in turn can control the flow of the first medium through fluid control **521a** (and **521b**). The second medium can also be used to provide nutrition to the cell **501** and to maintain the cell **501** at a desired status.

In yet another operation mode, when a first medium is introduced into the first passage **511** and a second medium is introduced into the chamber **590** through the second passage **591**, respectively, the intracellular space **543** of the cell **501** is in fluid communication with the first passage **511** with the first medium and at least part of the membrane of the cell **501**

42

is in contact with the second medium in the chamber **590**, the sensor **505** measures the responses of the cell **501** to the first medium and the second medium. From these measurements, the status of the cell **501** can be monitored.

If a plurality of sensors is utilized to practice the present invention, they can be substantially the same. Or, alternatively, at least two of them can be different from each other.

In another application, the device **500** can be utilized to control the physiological status of at least one cell. Normally, a cell controls its physiological status through an internal cellular control mechanism. In one embodiment, the device **500** can be used to provide at least one medium to the cell **501** such that at least part of the membrane of the cell **501** is in contact with the medium to override the internal cellular control mechanism.

In one operation mode, a first medium is supplied into the intracellular space **543** of the cell **501** through the opening **569** in the membrane **541**, and a second medium is supplied into the chamber **590** such that at least part of the membrane **541** of the cell **501** is in contact with the second medium. The response of the cell **501** to the second medium is measured, and the composition of the second medium is adjusted based on the response to affect the overriding of the internal cellular control mechanism. Moreover or alternatively, the response of the cell **501** to the first medium is measured, and the composition of the first medium is adjusted based on the response to affect the overriding of the internal cellular control mechanism.

In another operation mode, the concentration of at least one selected component of the medium can be monitored and the composition of the medium can be adjusted based on the monitored concentration of at least one selected component of the medium to affect the overriding of the internal cellular control mechanism.

Still referring to FIG. 5, the device **500** alternatively can be viewed as to have a biolayer **510**, a physical layer **520** and an infolayer **530**. The biolayer **510** includes chamber **590** that can contain extracellular fluid **515**, a living cells **501** with its corresponding transmembrane ion channels and ion-channel complexes **514** and pumps and transporters **515**. The intracellular space **543** of the cell **501** through the opening **569** in the membrane **541** is in fluid communication with a fluidic medium **507** that functions as an artificial intracellular medium. The physical layer **520** includes sensing electrodes **505**, valves **509a**, **b**, **c** and other elements such as punching element **506**. The Infolayer **530** contains amplifiers **512**, reconfigurable digital and analog software programmable digital signal processors **508** and outputs **513**. The membrane **514** is sealed to the substrate **502** by the gigaohm seal **503**. Microfluidic passages/channels **511** and **509a**, **b**, **c** allow control of the fluidic contents **507** of the medium and allow intracellular communication between multiple, coupled cells. Valves **521a**, **b**, **c** allow extracellular communication between cells if needed.

The device **500** according to the present invention may be termed as a "microbottle," which in no way should limit the scope of the present invention. FIGS. 3(A)-(C) shows another embodiment of the microbottle according to the present invention. In FIG. 3, device or microbottle **300** has a biolayer **310**, a physical layer **320** and an infolayer **330**. The biolayer **310** includes a cellular biological membrane or synthetic lipid membrane **301** containing ion channels or ion-channel/receptor complexes **314** and pumps and transporters **315**, such that the inner surface **304** of the membrane **301** is exposed to an fluidic medium **307** that functions as an artificial intracellular medium. The physical layer **320** includes the microbottles, picocalorimeters, microfluidics **305**, **307**, and sensor/elec-



trodes 310. The infolayer 320 contains amplifiers 312, reconfigurable digital analog software programmable digital signal processors (“DSPs”) 308 and the system output 313. The microbottle 300 has a silicon substrate 302, and the membrane 301 is sealed to the substrate 302 by the gigaohm seal 303. Microfluidic channels 311 and valves 309 allow control of the content of the fluidic contents 307 of the container and allows intracellular communication between multiple, coupled membranes 301.

FIG. 4 shows yet another embodiment of the microbottle according to the present invention. In FIG. 4, a living cell 401 is maintained in a chamber 412 whose fluidic contents are maintained by valves 404, which are connected to perfusate reservoirs 411 by microfluidic channels 410. A controller 406 is coupled by sensing leads 407 to sensors 405, 409 and 413 to sense the chemical composition in the extracellular space 402 and the chemical composition and/or state of internal organelles and/or natural or artificial markers 414 in the intracellular space 403. Through control leads 408, the controller 406 then adjusts the valves 404 to maintain the proper extracellular environment and the level of toxin or agents in the reservoirs 411 to which the cell 401 is exposed. The controller 406 can also control the exposure of the cell 401 to light by means of a controlled light source 418 that can be used to alter the conductance of transmembrane ion channels 416 or pumps or transporters 417.

Accordingly, the microbottle provided by the present invention in various embodiments can provide direct interface for measuring and controlling ion concentrations on both sides of a cell or synthetic membrane. The microbottle according to the present invention can be adapted to a variety of applications where the biological element is an active component in the circuit design. The microbottle can be used as a sensing element and allows the release of its content or in case of a cellular cap simulates the cell change cell function. In one embodiment of the present invention, as shown in FIG. 3, the microbottle has a silicon base layer as the focus of the sensing, signal processing and logic, a structural assembly for supporting microfluidics for delivery of ionic species, and a membrane, which is a biologically active element.

As illustrated in FIG. 3, in one embodiment according to the present invention, the microbottle 300 has a layered structure, where each layer can be fabricated individually and assembled in a flip chip manner by conventional bonding techniques. The base layer 310 is a silicon wafer that can be fabricated in conventional CMOS technique containing the sensing elements, actuators, the readout electronic and the logic elements to combine the microbottle in an array structure. The microfluidics layer 330 includes containers/chambers interconnected with channels. The fluids in the channels can be controlled through microvalves and pumps. Each chamber is sealed with an active membrane cap. The membrane could be either biofunctional or biomimetic.

**Silicon Base Layer:** Microelectronic sensors can be chosen for the measurement of Microbottle input and output parameters. They can be used to control the physio-chemical parameters in the silicon container and the environment of hermetically sealed devices. They can also be used to detect changes of the cellular behavior in response to an experimental treatment.

The basic sensor types to monitor the container content of microbottle, among other things, may include microelectrodes, electrochemical sensors, amperimetric sensors, potentiometric sensors, oxygen and other electrochemical sensors and field effects transistors (FET), where the gate electrode is made of or is coated with an electrochemically active material. This material can affect the source/drain cur-

rent by binding charge from the contents in the microbottle to its surface, creating a voltage drop across the gate insulator. FET-based sensors can be used for different measurement tasks. The addition of special chemical membranes on the gate insulator of a basic-FET allows the realization of ISFETs (Ion sensitive FETs) for different ions ( $\text{Ca}^{2+}$ ,  $\text{Na}^+$ ,  $\text{K}^+$ , . . . ) or ENFETs (enzyme sensitive FETs) for other metabolites (glucose, lactose, . . . ). Typical sensitivities of ISFETs are 50 mV/pH and 30 mV/pNa(pK) for FETs made with  $\text{Si}_3\text{N}_4$  and  $\text{Al}_2\text{O}_3$  gate insulators, respectively. ENFETs for glucose currently have slow response times (3-5 min) and go into saturation. Sensors for the neurotransmitters adrenaline and serotonin incorporate the use of Au nanoparticles they reach sensitivities of  $1 \times 10^4 \text{M}$  and  $6 \times 10^{-3} \text{M}$ , respectively. Typical ISFET sensing gate areas are large, typically  $400 \mu\text{m} \times 20 \mu\text{m}$ , to maximize their sensitivity.

Microelectrodes can be used to measure potential differences between the inside of the Microbottle and a reference electrode that will be either in a different container or on the other side of the membrane cap. The electrode material is very important in this type of application. Corrosion must be taken into account and avoided in order to make accurate, repeatable measurements. Possible electrode materials include gold and silver ( $\text{Ag}-\text{AgCl}$ ). Since FETs and microelectrodes are fabricated using standard microelectronic processes, integrating them with standard CMOS preamplifier and signal processing logic is feasible. While the processes are similar, the materials needed to form the FET gates and the microelectrodes are not standard to CMOS processing. Therefore, careful consideration should be made to the integration of these possibly incompatible materials together in a single “chip”. Also proper passivation materials can be utilized to prevent ionic contamination from the cellular solution in CMOS devices. The integration of these specialized sensors with the CMOS circuitry may increase the performance of the Microbottle and enable the coupling of various Microbottles to form programmable multicellular units.

**Microfluidics:** The micro fluidics layer allows the control of fluids on both sides of the membrane cap. The microfluidics layer can be either anodic or fusion bonded to silicon layer containing sensing and control elements. Some embodiments are shown and disclosed in the specification using liquid PDMS BioMEMS fabrication technology. In one embodiment, alternatively, a microfluidics layer includes channels and silicon containers with submicron holes. The channels and containers are etched into the substrate by Reactive Ion Etching (RIE) of silicon nitride mask and a non-isotropic KOH etch. The silicon nitride mask is typically less than one micron thick and can also be used for membrane structures without additional fabrication steps. The pyramidal container is therefore spanned with a silicon nitride membrane. The submicron hole in the membrane can be fabricated by focused ion beam.

The channels can be connected to tubing leading to external valves and pumps. Active and passive valves can be incorporated as well. A passive valve acts as flow restrictor and includes a metal and a polyamide membrane with holes in different positions. An active valve includes an electrostatic- or pneumatic-deflectable membrane on a segmented hole.

**Device Fabrication** The etching of channels and insulation layers, the fabrication of the boron-doped diamond microelectrodes, and the nanoscale machining such as the drilling of the holes for the Microbottle are developed accordingly for the present invention. The oxygen sensor, MEMS microfabrication, thermometer deposition and micromachined infrared detectors are also developed and utilized.

Membrane Cap: In one embodiment, the silicon container is spanned by either a biological membrane harvested from a cell (approximately 10  $\mu\text{m}$ ) or by a synthetic membrane assembled on the microfluidics layer. The membrane forms a seal not only acting as chemical barrier but also preventing leakage of currents from the Microbottle electrode to the reference electrode. The resistance is critical for determining the electrical background noise from which the channel currents need to be separated. In a typical patch clamp experiment, where the membrane is attached to a glass pipette the resistance is typically gigaohms. Active elements like voltage sensitive channel are inserted into the membrane cap and are either used as sensors or actuators. The voltage sensitive channels could be switches with an electrode configuration on the rim of the hole.

Synthetic Membrane: One of the common applications of lipid bilayers has been to study ion channel transport characteristics. Several issues are important in the application of bilayers as biosensors. The most critical physical properties are membrane uniformity and membrane stability and the present invention is capable of addressing these issues. Lipid bilayers have been deposited on solid platinum, gold and silicon surfaces. There are several examples of bilayer spanning applications such as across micro-machined polyimide 40  $\mu\text{m}$  diameter apertures. The microbottle may be temporarily filled with a support material, while the bilayer is formed. An enzymatic cleavage strategy can be utilized to remove the gels through the fluid channel access ports of the microbottle. The individual molecules forming ion channels can be inserted in artificial lipid bilayers. Far more complex systems, which employ high-gain biological amplification and therefore the detection of single molecules, e.g., hormone receptor systems, may also be employed.

Natural Membrane: The Microbottle according to the present invention allows fluids to be sucked through one of the holes in the silicon container. By sucking and manipulating a cell onto the top of the silicon container the cell membrane can be punched open allowing access to the intracellular space. Natural membrane can be extracted from various different cells by rupturing the cell membrane.

Cellular Cap: The Microbottle of the present invention allows fluids to be sucked through at least one hole in the silicon container. By sucking and manipulating a cell onto the top of the silicon container the cell membrane can be punched open allowing fluidic and electrical access to the intracellular space. The extracellular space can also be monitored through a second fluidics layer encapsulation the cell. The cell is now an active elements; the intra- and extra cellular space is monitored and controlled through the silicon base layer and the microfluidics layers. Such an embodiment is shown in FIG. 5. The immediate spin off this technology is a new measurement technique with unsurpassed possibilities superseding conventional patch clamp techniques. Small pore diameters can only be obtained in glass micro-pipettes if the cone angle is very small and the pipette resistance correspondingly high, the RC noise generated by this resistance in conjunction with the distributed pipette capacitance limits the bandwidth of voltage recordings dramatically. The long conical shape of the glass micropipette also restricts the selective perfusion of the intracellular space. In contrast, the Microbottles does not impose geometrical constrictions and allows the controlled fabrication of ultra small pores beyond the capabilities of glass pipettes. The low access resistance of the silicon micropipette used with small membrane patches brings the potential of voltage clamping in the megahertz frequency domain. The present invention also allows temporal resolution of a variety of important electrogenic events such as

ion-binding reactions and fast conformational changes associated with transport function.

In tiny patches the probability of the appearance of any other charge-translocation processes is reduced in proportion to the patch area. Furthermore the formation of a reliable seal becomes increasingly more difficult as the size of the pipette tip is increased. The wide planar rim of the silicon chip utilized in the present invention is expected to reduce the shunt resistance, leads to a greater stability and a significantly higher success rate in a patch clamp process. In general the stability of those small patches is expected to be enormously high with a seal resistance of several hundred gigaohms allowing long-term recordings. The microbottle would not only simplify and overcome the limitations of patch-clamp techniques but also move towards integrating biologically active components into electronic circuits on silicon wafers.

A plurality of Microbottles of the present invention can be arranged in complex array structures allowing to readout and stimulation of cellular networks. The cellular network would be fabricated with a technique called soft lithography. According to one embodiment of the present invention, in the first step pits and connecting channels are etched into silicon substrates. After etching, the channels and pits are coated with an adhesive protein (polylysine), which promotes cell adhesion and cell growth. After coating, neural or cardiac cells are plated onto the silicon substrate the cells adhere in the pits and form dendrites along the channels connecting to neighboring cells. The chip with the patterned cellular networks is "flip chipped" to the silicon wafer containing the Microbottles. Since the Microbottles probe and control the intracellular space, a well-defined cell-silicon coupling can be realized. Conventional techniques like microelectrode arrays or cell potential FETS (CPFETs) suffer from poor coupling and therefore reduced signal amplitudes. Recordings are generally on the order of 10-200  $\mu\text{V}$  compared to 80 mV in patch clamp techniques.

#### Example 5

##### Picocalorimeter and Bioreactor

In one aspect, the present invention relates to a device for measuring response of at least one cell **203** to a medium, the response of at least one cell **203** to a medium being characterized by a reaction time. In one embodiment as shown in FIGS. 2A and 2B, a device **200** includes a membrane **206** having a first surface **251**, an opposite second surface **253** and edges **255**, a side substrate **212** having an inside surface **261**, an opposite outside surface **263**, a top surface **265** and bottom surface **267**, wherein the inside surface **261** of the side substrate **212** and the first surface **251** of the membrane **206** define a sample well **269** in communication with the ambient air and for receiving the at least one cell **203** such that the membrane **206** is underneath the at least one cell **203**, a sensor **205** positioned underneath the second surface **253** of the membrane **206**, and an inlet **210** in fluid communication with the sample well **269**. A medium (not shown) is introduced into the sample well **269** through the inlet **210** to form a droplet **209** that surrounds the cell **203**, and the sensor **205** measures the response of the cell **203** to the medium at a time period shorter than the reaction time. The sensor **205** is in contact with the second surface **253** of the membrane **206**. The response of the cell **203** to the medium, which may contain at least one agent or stimuli, depends on the characteristic of the cell **203** as well as the properties of the agent such as the type or class of the agent. Therefore, among other things, one application of the device **200**, and other device **200s** and

methods of the present invention, is to detect the agent from the response of the cell 203 to the medium having the agent, which uses the cell 203 as canary.

The device 200 also includes a biocompatible coating layer (not shown) applied to the first surface 251 of the membrane 206. The membrane 206 comprises a material with sufficiently low thermal conductivity to yield a high degree of thermal isolation between the center of the membrane 206 and the edges. For examples, the membrane 206 may comprise a dielectric material. The membrane 206 may also comprise a silicon nitride membrane 206. Moreover, the membrane 206 is at least partially transparent so that the response of the cell 203 can be optically detected through an optical sensor.

The inside surface 261 of the side substrate 212 makes contact with the first surface 251 of the membrane 206 to define the sample well 269, wherein the side substrate 212 is thermally isolated from the membrane 206. A hydrophobic layer 204 can be applied to the inside surface 261 of the side substrate 212.

In one embodiment as best shown in FIG. 2A, the inside surface 261 of the side substrate 212 has a slope defined by an angle  $\alpha$  such that cross-sectionally the bottom surface 267 of the side substrate 212 is wider than the top surface 265 of the side substrate 212. The side substrate 212 comprises a material with sufficiently high thermal conductivity such that the side substrate 212 functions as a heat sink for the membrane 206. For examples, the side substrate 212 may comprise a semiconductor material such as silicon.

The sensor 205 can be any type of sensor as defined and discussed above. As an example shown in FIGS. 2A and 2B, the sensor 205 can be a thermal detector.

The device 200 further includes an actuator 202 that is mechanically coupled to the inlet 210. The inlet 210 has a main portion 271 and an end portion 273 in fluid communication with the main portion 271. The end portion 273 is movable between a first position 273a that is distant from the cell 203 and a second position 273b that is proximate to the cell 203. When a medium is to be introduced into the sample well 269, the actuator 202 causes the end portion 273 to move away from the first position 273a to the second position 273b or a position therebetween the first position 273a and the second position 273b for delivering the medium to the sample well 269 to form a droplet 209 to isolate the cell 203. After a medium is introduced into the sample well 269 and droplet 209 is formed, the actuator 202 can cause the end portion 273 to move toward to the first position 273a from the second position 273b or a position therebetween the first position 273a and the second position 273b for keeping the end portion 273 away from the droplet 209 isolating the cell 203.

The device 200 further has a control 201 positioned inside the main portion 271 of the inlet 210 for controlling the flow of the medium. Additional controls 201 can be positioned at branches in fluid communication with main portion 271, as best shown in FIG. 2B, such that the content of the medium can be adjusted as needed.

The device 200 also has an outlet 211 in fluid communication with the sample well 269 for introducing medium away from the sample well 269. An actuator 252 mechanically coupled to the outlet 211. The outlet 211 has a main portion 281 and an end portion 283 in fluid communication with the main portion 281. The end portion 283 is movable between a first position 283b that is proximate to the cell 203 and a second position 283a that is distant from the cell 203. When a medium is to be introduced away from the sample well 269, the actuator 252 causes the end portion 283 to move away from the first position 283b to the second position 283a or a

position therebetween the first position 283b and the second position 283a for introducing the medium away from the sample well 269. After a medium is introduced away from the sample well 269, the actuator 252 may cause the end portion 283 to move back to the first position 283b from a position therebetween the first position 283b and the second position 283a. The device 200 further has a control 251 positioned inside the main portion 281 of the outlet 211 for controlling the flow of the medium. Additional controls 251 can be positioned at branches in fluid communication with main portion 281, as best shown in FIG. 2B, such that the content of the medium can be adjusted or controlled as needed.

Thus, a device according to the present invention is shown to be able to measure the energy generation and consumption of a single or multiple cells. In some embodiments, such a device is termed as a Picocalorimeter. As shown in FIGS. 2A and 2B, in operation, device 200 uses a membrane 206 in combination with a sensor 205 to measure measurable quantities related to the status of a single or multiple cells such as the basal energy generated by a cell 203 in a droplet of culture media 209. The droplet of cell culture media is confined on the membrane 206 by a hydrophobic coating 204. The temperature difference between the membrane and the substrate 212 is measured with sensor 205, which can be a differential sensor and may be coupled to additional components such as an amplifier 213 through leads 214. The content of the droplet 209 can be exchanged to maintain cell viability using inlet 210 that can have an optional branch structure formed by a number of inlet lines 217 as shown. The content of the inlet structure can be varies using valves 201, which are driven by controller 208. For analysis of the content in the outflow through outlet structure, the fluid can be switched by valves 251 to have various analyzing structures formed by a number of outlet lines 218. The inlet structure 210 can be positioned by actuator 202 to inject fluid into the droplet and to retract from the droplet 209 to maintain thermal insulation, respectively. The outlet structure 211 can be positioned by actuator 252 to withdraw fluid from the droplet 209 and to retract from the droplet 209 to maintain thermal insulation, respectively. During the measurement interval the inlet and the outlet structure are retracted. Additional electrodes 207 can be used to monitor various metabolites in the droplet 209 in order to detect, for example, metabolic pathway switching. Controller 208 allows the analytes in the media to be changed depending on the status of the metabolic network in order to override internal cellular control.

Moreover, in another embodiment (not shown), MEMS and microfluidic technologies are utilized to provide a flow-through system in which the heat production of a small number of cells may be monitored before and after the cell stream merges with the injected flow of medium containing agent such as toxin. Micropipes can be electrically actuated by piezo bimorphs so that they can be separated from the droplet to thermally insulate the cell on the membrane in the thermal measurement interval. Beside heat generation, oxygen, pH and Redox potential sensors can be integrated on chip as well as advanced readout and control electronics.

In another aspect, the present invention relates to a device for measuring at least one of cellular physiological activities of at least one cell or cells, where each of the cellular physiological activities can be characterized by a reaction time. In one embodiment as shown in FIGS. 25A and 25B, the device 2500 includes a membrane 2505 having a first surface 2551, an opposite second surface 2553 and edges 2555, a side substrate 2504 thermally isolated from the membrane 2505 and having an inside surface 2561, an opposite outside surface 2563, a top surface 2565 and bottom surface 2567,

wherein the inside surface **2561** of the side substrate **2504** cooperates with the first surface **2551** of the membrane **2505** to define a sample well **2501** in communication with the ambient air and for receiving the at least one cell or cells **2503** such that the membrane **2505** is underneath the at least one cell **2503**, and a sensor **2506** positioned underneath the second surface **2553** of the membrane **2505** for measuring at least one of cellular physiological activities of the at least one cell **2503**. The membrane **2505** and the sensor **2506** are arranged such that at least one of cellular physiological activities of the at least one cell **2503** is measured at a time period shorter than the reaction time. Note that among other things, one advantage of the device **2500** is that it allows operation in air, which makes the utilization of living cells possible and also eliminates many disadvantages related to the requirement of operation in vacuum by the prior art such as cost, inconvenience, low reliability, etc.

As discussed above and below related to the present invention, among other things, it can be done by limiting the dimensions of the device, positioning the sensor(s) proximate to the cell(s), and/or choosing cellular physiological activities to be measured such that quantities related to the status of a cell, being a response to an agent or a cellular physiological activity, can be obtained quickly before a corresponding reaction time such as a diffusion time. Thus, one unique aspect of the present invention is that small is faster and better. It will be appreciated, however, that in addition to a reaction time that characterizes a response to an agent or a cellular physiological activity of a cell, other quantities may be considered as well. For examples, in one embodiment, the device **2500** can be utilized to detect signals corresponding to the amount of heat generated by cells as a function of time or intervention. This can either be as a measurement of power, or total energy change. The characteristics of the media that are in fluid communication with the cells include the thermal conductivity and the heat capacity. These may combine to give the response time and response amplitude for the system when cells within the sample well produce heat. Device **2500**, like other embodiments of the present invention, allows one to obtain proper signals at proper places within a proper time period.

The device **2500** also may include a biocompatible coating layer (not shown) applied to the first surface **2551** of the membrane **2505** for better housing the cells **2503**. The membrane **2505** comprises a material with sufficiently low thermal conductivity to yield a high degree of thermal isolation between the center of the membrane **2505** and the edges **2555**. For examples, the membrane **2505** may comprise a dielectric material. The membrane **2505** may also comprise a silicon nitride membrane **2505**. Moreover, the membrane **2505** is at least partially transparent so that the response of the cell **2503** can be optically detected. The dimensions of the membrane **2505** can be chosen such that measurements can be performed at a desired time period that is shorter than a corresponding reaction time. For examples, in one embodiment as shown in FIGS. **25A** and **25B**, the thickness of the membrane **2505** is in the range of 0.1 to 1.5  $\mu\text{m}$ , and the size of the membrane **2505** is in the range of 0.1 to 25  $\text{mm}^2$ . In a particular example, the thickness of the membrane **2505** is chosen as about 0.6  $\mu\text{m}$ , and the size of the membrane **2505** is chosen as about 1  $\text{mm}^2$ .

The inside surface **2561** of the side substrate **2504** makes contact with the edges **2555** of the membrane **2505** to define the sample well **2501**, wherein the side substrate **2504** is thermally isolated from the membrane **2505**. A hydrophobic layer (not shown) can be applied to the inside surface **2561** of the side substrate **2504**.

In one embodiment, the inside surface **2561** of the side substrate **2504** has a slope with an angle  $\beta$  such that cross-sectionally the bottom surface **2567** of the side substrate **2504** is wider than the top surface **2565** of the side substrate **2504**. The side substrate **2504** comprises a material with sufficiently high thermal conductivity such that the side substrate **2504** functions as a heat sink for the membrane **2505**. For examples, the side substrate **2504** may comprise a semiconductor material such as silicon.

Again, the sensor **2506** can be any type of sensor **2506** as defined below. As an example, the sensor **2506** can be a thermal detector. In one embodiment as shown in FIGS. **25A** and **25B**, the thermal detector **2506** comprises a thermometer, wherein the thermometer comprises a thermopile having a first polarity of junction positioned underneath and in contact with the second surface **2553** of the membrane **2505** and a second polarity of junction thermally coupled to the side substrate **2504**. The thermopile includes a series of thermocouples, wherein an emf measured at the leads of the thermopile is proportional to the temperature difference between the membrane **2505** and the side substrate **2504**. Alternatively, the thermometer can be a resistive thermometer having a series of resistors electrically coupled to each other. Additionally, other sensor(s) can be utilized to cooperate with the thermal sensor **2506**. For instance, an optical sensor (not shown) can be utilized to optically detect the status of the cells **2503** through an at least partially transparent area **2573** of the membrane **2505**.

Thus, a Picocalorimeter according to one embodiment of the present invention combines the highly complex and evolved sensing architecture of cellular systems and a new micro-machined silicon transducer device capable of detecting minute heat changes arising from changes in the metabolism of a single cell with a response time of a few milliseconds. The Picocalorimeter, with a sensitivity of 1-50 pW, results in an improvement of more than four orders of magnitude and hence achieve single cell sensitivity. The measured specifications of micromachined calorimeters, and calculated values for optimized shown in the following table.

| Specification                     | Measured: existing prototype | Calculated: optimized device |
|-----------------------------------|------------------------------|------------------------------|
| Detector area                     | 1 $\text{mm}^2$              | [0.3. $\text{mm}]^2$         |
| Responsivity                      | 110 volts/watt               | 1365 volt/watt               |
| Noise                             | 110 nV/√Hz                   | 80 nV/√Hz                    |
| Time constant                     | 50 msec                      | 15 msec                      |
| Minimum detectable power          | 1000 picowatt/√Hz            | 59 picowatt/√Hz              |
| Energy Sensitivity, $\tau = 10$ s | 130 picojoule                | 7 picojoule                  |

The Picocalorimeter can be fabricated by employing micro-machining techniques. As discussed above, a Picocalorimeter includes a silicon nitride (SiN) membrane, thermally insulated from the silicon wafer, and one or more thermometers in the center of the membrane. The thermometer is typically a series of resistors or thermocouples forming a thermopile. The heat quantity evolved or absorbed is equal or proportional to the product between temperature change and the heat capacity of the calorimetric vessel and its contents. Since the membrane dimensions are small and silicon nitride has an extremely low-thermal conductivity and heat capacity, the device is intrinsically sensitive. By minimizing the total thermal conductance, a small quantity of heat transferred to or from the sample results in a large, measurable temperature rise. For the optimized device, about 20  $\mu\text{W}$  of

power will raise the Picocalorimeter temperature by 1 K. The mK sensitivity of the thermometer gives pW resolution. This may be achieved by employing micromachining fabrication to produce a rigid membrane only 0.6  $\mu\text{m}$  thick or less.

The contents of the Picocalorimeter can be single or multiple cells grown or placed onto the SiN membrane and a drop of liquid surrounding the cell. Several measurements on membranes have shown a high mechanical stability of the silicon nitride membrane and its ability to support a liquid droplet, and growing cells directly on the membrane. The liquid contains all required nutrients and may be periodically exchanged by two nanoliter injectors (not shown) between measurement intervals. Two nanoliter injectors are mounted on computer-controlled micro-positioners, which can also be used to position the cells on the SiN membrane or to introduce agents that alter the metabolism of the cell. The following table shows the metabolic activity of various cell lines of interest.

| Cell types            | Power/heat output | Reference                      |
|-----------------------|-------------------|--------------------------------|
| Human T-lymphoma cell | 12.2 pW/cell      | P. Backman, 1991               |
| Human melanoma cells  | 80 pW/cell        | M. Gornan-Nordmark et. al 1984 |
| Rat white adipocytes  | 40 pW/cell        | P. Nilsson-Eble et. al 1985    |
| 3T3 mouse fibroblasts | 17 pW/cell        | P. Lonnbro et. al 1990         |
| Rat hepatocytes       | 329 pW/cell       | L. Nassberger et. al 1986      |
| Human keratinocytes   | 40 pW/cell        | U. Reichert et. al 1986        |

The metabolically complex liver cell generates 350 pW/cell and may be an ideal sample to demonstrate the applicability of the Picocalorimeter. Such a single liver hepatocyte could be monitored with a 5:1 signal to noise ratio. The sensitivity of the Picocalorimeter can be utilized to measure the dose-response relationship between a beta-adrenergic agonist and heat production in hepatocytes. The effects of Dinitrophenol, which uncouples heat production from oxygen consumption, on heat production can then be examined, which in turn can be used to optimize the Picocalorimeter and determine its sensitivity and the response times to fluctuations in heat production.

The microfluidic components and controls discussed elsewhere in the specification may be adapted, incorporated and enhanced to allow for thermal isolation of each cell environment. The Picocalorimeter with the living cell may be hermetically sealed with a cap to protect the cell environment from contamination. Supply and waste microchannels may connect to micropipettes that can be moved in and out of the liquid drop surrounding the cell. Actuation of the micropipettes can be accomplished by either deflection of piezo bimorphs connected to the micropipettes, or deflection of the sealing membrane by the piezoelectric filament array also used to actuate the pumps and valves.

In yet another aspect, the present invention relates to a device for measuring at least one of cellular physiological activities of at least one cell, where each of the cellular physiological activities can be characterized by a reaction time. In particular, the device can be utilized to measure the energy generation and consumption of a single or multiple cells. In one embodiment as shown in FIGS. 6(A)-(D), a device 600 includes a membrane 606 having a first surface 651, an opposite second surface 653 and a thickness, wherein the membrane 606 has a sensing area 659 for receiving the at least one cell 611 such that the membrane 606 is underneath the at least one cell 611. The device 600 further includes a substrate 602 positioned opposite to the membrane 606 and having an

inside surface 661 and an opposite outside surface 663, wherein the inside surface 661 of the substrate 602 cooperates with the first surface 651 of the membrane 606 to define passage 670 therebetween. The substrate 602 has a first flexible portion 665 located at one side of the sensing area 659 of the membrane 606 and a second flexible portion 667 located at another side of the sensing area 659. A sensor 607 is positioned underneath the sensing area 659 of the membrane 606 for measuring at least one of cellular physiological activities of the cell 611. The membrane 606 and the sensor 607 are arranged such that at least one of cellular physiological activities of the cell 611 is measured at a time period shorter than the reaction time.

The device 600 may also include a biocompatible coating layer (not shown) applied to the first surface 651 of the membrane 606. The membrane 606 comprises a material with sufficiently low thermal conductivity to yield a high degree of thermal isolation between the center or sensing area 659 of the membrane 606 and the edges. For examples, the membrane 606 may comprise a dielectric material. The membrane 606 may also comprise a silicon nitride membrane 606. Moreover, the membrane 606 is at least partially transparent so that the status and/or response of the cell 611 can be optically detected. The dimensions of the membrane 606 can be chosen to meet different needs.

The first flexible portion 665 of the substrate 602 has a first diaphragm that is actionable by a force. When a force is applied to the first diaphragm, the first diaphragm moves along the direction of the force. As an example, the first diaphragm can be a PDMS membrane.

The second flexible portion 667 of the substrate 602 has a second diaphragm that is actionable by a force. When a force is applied to the second diaphragm, the second diaphragm moves along the direction of the force. As an example, the second diaphragm can be a PDMS membrane. In the embodiment as shown in FIGS. 6(A)-(D), the substrate 602 is a PDMS membrane.

The first diaphragm and the second diaphragm can be utilized jointly or individually in operation. For examples, when a first force is applied to the first diaphragm towards the outside surface 663 of the substrate 602, the first diaphragm moves along the direction of the force to reach to the first surface 651 of the membrane 606, and when a second force is applied to the second diaphragm towards the outside surface 663 of the substrate 602, the second diaphragm moves along the direction of the force to reach to the first surface 651 of the membrane 606, thereby to form an isolated region therebetween. In the embodiment as shown in FIGS. 6(A)-(D), the first flexible portion 665 and the second flexible portion 667, when pushed by air pressure through inlets 601, form an enclosed measurement volume 617 containing the cell 611 therein and isolating the cell 611 from communication with fluid outside the measurement volume 617. Note that the first diaphragm and the second diaphragm can be separate elements, or integral parts of a ring-shaped diaphragm that substantially encircles the measurement volume 617, as shown in FIG. 6.

Conversely, when at least one of the first force and the second force is withdrawn, a corresponding one of the first diaphragm and the second diaphragm moves away from the first surface 651 of the membrane 606, thereby to allow the isolated region inside measurement volume 617 in fluid communication at least partially with the passage 670.

Thus, as shown in FIGS. 6(A)-(D), device 600 can be utilized to measure the energy generation and consumption of a single or multiple cells. The device 600 uses a first membrane 606 that is sufficiently thin with a sensor 607 to measure the

basal energy generated by a cell **611** in a measurement volume **617** thermally isolated from the surrounding using a gas/air filled space bounded by a second membrane **602** that is sufficiently thin. By pressurizing the gas filled chamber **613** through the inlets **601**, the chamber **613** can be expanded to isolate the liquid media surrounding the cell **611** in the passage **670** to form a droplet, which has inlet **615** and outlet **616** for supplying a stream of fresh media and draining spend media from the measurement volume **617**, respectively. Valves **610** can be utilized to allow the control of the inflow and outflow of the stream through the passage **670**. On top of the measurement volume **617**, there is a gas filled chamber **604**, which is stiffened by bridges **612** or is pressurized to avoid a collapse or deformation of the measurement volume **617** when the membrane **602** is inflated during the measurement cycle. Additional electrodes **608** can be used to monitor various metabolites in the droplet in order to detect, for example, metabolic pathway switching. The electrodes **608** can be coupled through the lead **614** to a sensing unit (not shown). It will be appreciated that means other than pressurized gas can be used to move the first flexible portion **665** and the second flexible portion **667**, which could also be any other low-thermal conductivity barrier or object that may be mechanically placed around the cell with a piezoelectric or other mechanical actuator and the like.

#### Example 6

##### Signal Extraction and Discrimination

It will be appreciated that practicing the present invention often involves apparatuses or devices that have biological, electronic and microfluidic components interfacing each other and interacting together. To build these devices, a design theory is developed that is supported by an integrated modeling paradigm (language) that allows the modeling, analysis, simulation, and synthesis of these hybrid systems. The information or INFO component of the present invention develops this modeling language, and selects and/or builds analysis and synthesis tools for the present invention. One of them is a Bio-Micro CAD tool that can be used by biologists, biochemists, and diagnosticians to produce biocontrollers.

Currently, there is no integrated effort that would address all of the needs of a bio-silicon hybrid device. Silicon behavioral (analog or digital circuit) simulators exist, and there are efforts for engineering biological processes using (circuit) simulation techniques, but there is no integrated modeling and analysis framework that would combine the two. In one aspect, the present invention provides an integrated bio-silicon-hybrid system design environment to meet the need.

As schematically shown in FIG. 8, a design environment **800** according to the present invention has multiple customized interfaces **801** communicating with users including microbiologists, hardware/sensor engineers, and diagnostic experts. The design environment **800** has a microcontroller **810** that, among other things, contains models **802-805** operated therein, receives inputs from the interfaces **801** and drives system generators **806, 808**. System models include biological models **802** that capture cellular metabolic cycles including cellular products, physical models **803** that capture sensor configurations, digital processors, fluid processing hardware, and other devices on the chip, cell diagnosis models **804** that capture the differential diagnosis procedure including measurement parameters, decision logic based on measured/computed parameters, and physical actions to change cellular environmental parameters, control strategy models **805** that define how to achieve the cellular environ-

mental parameter changes using the hardware defined in the physical models **802**. Models can be added, deleted, edited, modified, tested, operated, used, saved, and upgraded, among other things. Moreover, the design environment **800** has one more system generators for various tasks. For examples, system generator **806** creates simulations of the procedures and physical structures as defined by any or any combination of models **801-805** and generates simulation configuration data **812** to drive a biological simulator **813**, in which offline simulations execute these models **807**, and produce data that can be used to optimize corresponding models **801-805**. System generator **808** converts the models **801-805** into executable code **811** that contains the software and hardware configuration information, and runs on the physical device **809** to perform cell diagnostics in the application-specific bio-microcontroller **814** accordingly. More descriptions about what the design environment **800** can do are given below.

In one aspect, the present invention relates to a method for discriminating an agent. To do so, a process for agent classification needs to be defined. In one embodiment, overall agent classification can be implemented in the design environment **800** by successive refinement of diagnostic hypotheses. The steps in this process can be defined using a diagnosis tree having a plurality of branches. At each branch of the tree, a context-sensitive experiment is conducted and data acquired and analyzed. The context is a result of all prior experiments and decisions. At each experiment/assay, the following steps are performed:

Setting assay conditions, including: (a) Selecting the type and quantity of cells to be exposed; (b) Modifying the 'set-points' of the cell, (e.g., changing pH to make the cell metabolism more sensitive to a particular protein, etc.); (c) applying the unknown agent to the cells with a user-specified profile;

Acquiring data from the sensors, and processing it into "features". Features represent processed information from the raw signal, converting a time sequence of raw A/D sample counts into a small number of parameters. Arbitrarily complex feature extraction algorithms can be defined by connecting software modules from a library of signal analysis functions (e.g., slope, frequency analysis, parametric modeling, etc.) in a Lab View-like environment; and

Applying a discrimination function to evaluate the features, dividing into classes of responses. The classification assurance will be assessed and used to select the next branch of the decision tree. Discrimination functions can be implemented to form a library of techniques (Principal Component/Factor Analysis, Statistical Clustering/Maximum Likelihood Estimation, Parametric Model/System Identification, Neural Networks, User-Defined, etc.).

In operation, care should be taken to integrate control and diagnosis to conserve valuable resources (limited number of cells, limited quantity of reagents), and modify cell conditions to enhance sensitivity of the biological systems to improve quality (e.g., to increase probability of detect, to reduce false alarm rate, etc.).

Defining the diagnosis tree is an experiment- and data-intensive, iterative process. As shown in FIG. 8, the design environment **800** is capable of supporting programming of the system by a plurality of users **801**. A Model-Integrated Computing ("MIC") approach is utilized to design and implement a Domain-Specific language for agent classification. The MIC approach has proven successful at a wide variety of embedded systems and diagnostic domains.

Discrimination can be achieved in several ways according to the present invention. Referring now to FIG. 22, a differential discrimination process is shown. In step 1, a series of incremental refinement procedures **2201** are defined as a

decision tree. Starting with a broad sweep assay, and using the results of a discrimination process, the agent is identified as being either viral or neural. Moreover, classes and subclasses of neural responses are identified by choosing a new assay to further refine decisions, which can be considered as branches and successive branches of the decision tree. Refinement proceeds until sufficient confidence and discrimination is achieved. In Step 2, experimental conditions and control setting parameters 2202, such as cell type and quantity to expose to the unknown agent, cell bath composition, or the like, are defined. In Step 3, the individual entries 2203 in a first database, where is shown as Data Point Library, are used to define a detailed discrimination process that involves specific measurements 2204 such as fast Fourier transforms (“FFT”), summations, differences, and feature extraction, during which a feature extraction algorithm is graphically defined in a second database 2205, where is shown as Feature Extraction Library, that contain common signal processing primitives to produce the resulting feature 2206 that is quantified. At step 4, discrimination functions or discriminators are defined by using several features 2207 to indicate differential diagnostics paths to choose, and/or obtained from a third database 2208, where is shown as Discrimination Functions Library, and a historical data base 2209 that contains common discrimination functions and provides a historical record available for use in discrimination and algorithm verification. As a result, one or more discrimination functions, i.e. classification information about the agent, are generated, which can be used to select the next branch of the diagnosis tree. These discriminators can also be used to discriminate or classify the agent from the measured signals corresponding to the agent. The process can be repeated until the agent is discriminated.

Accordingly, as shown in FIG. 22 and discussed above, one method 2200 for discriminating an agent according to one embodiment of the present invention includes the steps of (a) constructing a decision tree 2251 having a plurality of branches 2253, 2255, each branch corresponding to at least one defined action, wherein each branch includes a plurality of successive branches 2257, 2259, each successive branch corresponding to at least one defined action, (b) providing a conditioned environment 2202 sensitive to the agent, (c) obtaining data from response of the agent to the conditioned environment at 2203, (d) extracting features from the obtained data at 2204, (e) selecting a branch from the decision tree corresponding to the features at 2206, (f) performing on the features at least one defined action corresponding to the branch, and (g) producing a classification of the agent at 2207. Some of the above steps can be iteratively repeated until the agent is discriminated.

In doing so, as shown in FIG. 22, at the start, a decision is made regarding the choice of logic for successive refinement of agent classification, where it can be chosen as logic for classification of a Neuro agent at 2255, or logic for classification of a Viral agent at 2253. The agent may include a chemical agent, a non-chemical agent, a biological agent, or a non-biological agent. Examples of the agent can be found above.

Different signal classification algorithms can be utilized to classify an agent. In one embodiment as shown in FIG. 23, for the process 2351 shown at the upper half, sets of available measurements 2301, where each measurement represents a parameter related to the status of the agent, for example, the entry of a toxin to a conditioned environment having cells may cause temporal response measured as T, are chosen and used as input data to the feature extraction process 2302 that graphically define algorithms to extract properties from the raw cellular measurements. From these data, feature sets

2303 are computed from solving a set of first order differential equations although second order, or high order differential equations may also be used. Feature sets 2303 are then analyzed at 2304 by classification algorithms including principal component analysis and other linear/nonlinear classifiers to separate the features into a feature space 2305. Space 2305 is an example of a poorly classified decision, where feature distributions overlap to each other, based upon a particular feature extraction process 2302. A similar process 2353 as shown in the lower half of FIG. 23, however, produces a feature space 2306 that represents a good classification of three regions from a different extraction process. One difference is that process 2353 uses a set of second order differential equations at step 2312 as discussed in more detail below.

Indeed, an important phase of signal classification is the initial feature extraction. Feature extraction can take the form of simple mathematical operations on signals (add/subtract, compute slope/area-under-curve) or can incorporate metabolic or other physiological information such as intracellular or intercellular signaling activity via parameter matching to biological models. Design of the feature extraction algorithms is an iterative process as partially shown in FIG. 23. As shown in the upper half of FIG. 23, the initial attempt 2351 selects a set of sensor inputs (temperature, oxygen, pH, etc.). A first-order differential equation model of metabolic pathways is used to extract features from T, pH, and NADPH amongst other algorithms. A Principal-Component-Analysis (PCA)/Cluster separation reveals that the classes are only separable with a 20% confidence level.

In the lower half of FIG. 23, a refinement of the feature extraction shown as process 2353 changes the biological model to 2nd order and adds a new model as a feature (O—). Successive PCA shows that the classes are now separable with a 90% confidence level. Among other things, the feature extraction primitives include (1)

Standard mathematical/DSP functions, (2) Model Parameter Identification for 1st, 2nd, and 3rd order rate equations, (3) Mean transit time and Impulse response models, and (4) Kinetics of mass/heat diffusion. In addition, generic ‘shells’ will be available to perform user-defined analysis.

Classified data are stored in a database for further use. However, when building the experimental classification database in an unsupervised mode, the input to the algorithms are unlabelled examples. Unsupervised classification algorithms are used to discover natural structures in the data and can provide valuable insight into the problem and guide the development of classification system. As described above, the design environment 800 can be used for a wide range of applications. On one end of the spectrum, it can be used to design decision trees that are based entirely on deep physiological knowledge. In this scenario, the number of features at each decision node would be relatively limited and assignment to one class or the other would be made on the goodness of fit between data and model. On the other end of the spectrum it can be used to design classification systems even if very little is known about physiological principles. In this scenario, the number of features would be large, the system provided with labeled examples, and it would simply compute decision boundaries in the feature space.

FIG. 24 illustrates a diagnostics path to develop an assay according to one embodiment of the present invention. Note that this is illustrative of the definition process and represents a small fraction of a complete diagnostics process. The first step is to have a broad spectrum assay. Robust, relatively insensitive cells from cell lines are used to provide a long-lived activity detector. The broad assay may separate

responses into one of several broad classes, discriminated by a Maximum Likelihood Estimator. FIG. 24 further illustrates the next step for Gram-Negative Bacteria. A new set of engineered cell lines is selected for their sensitivity to the presence or absence of CD-14 (i.e., endotoxin receptor), along with instrumentation to measure the anticipated indicators. The expected response is used to define a set of feature extraction algorithms. In this case, a simple threshold serves as a classifier. The third step in the path chooses intestinal cells to determine if a pathogenic enterotoxin is secreted by the gram negative bacteria, a set of sensors, feature extraction algorithms, and a MLE classifier. Note that there may be additional steps to be performed.

Accordingly, as shown in FIG. 24, diagnosis process 2400 proceeds as follows. At step 2401, cell lines, sensors, and analysis metadata are chosen and obtained to provide a broad-spectrum activity assay at 2404. Feature extraction algorithms are utilized at 2405 to define how to convert raw sensor measurements into features at 2406. The features resulting from feature extraction are examined by a classifier method at 2407, which is selected for its ability to discriminate agent classes. Classification results are used to make a decision of which path to proceed at 2408. For examples, a second set of cell lines, sensors, and analysis metadata are chosen and obtained to provide a broad-spectrum activity assay at 2424 and subsequent analysis is repeated to generate new classification results. For poor discriminations, multiple paths can be followed at step 2409. Additional subsequent steps that follow the same procedures, with specific feature extraction and classification methods at 2403 (or more) can be repeated until desired results are obtained, for example, when a desired robustness factor is obtained.

While there has been shown various embodiments of the present invention, it is to be understood that certain changes can be made in the form and arrangement of the elements of the system and steps of the methods to practice the present invention as would be known to one skilled in the art without departing from the underlying scope of the invention as is particularly set forth in the Claims. Furthermore, the embodiments described above are only intended to illustrate the principles of the present invention and are not intended to limit the claims to the disclosed elements.

The invention claimed is:

1. A method for monitoring the status of at least one cell, wherein the cell has a membrane forming a substantially enclosed structure and defining an intracellular space therein, comprising the steps of:

- (a) providing a device for monitoring the status of at least one cell, the device comprising:
  - (i) a first substrate having a first surface and an opposite, second surface;
  - (ii) a second substrate supported by the first substrate, the second substrate having a first surface, an opposite second surface, a body portion between the first surface and the second surface, a first side surface and an opposite second side surface, wherein the body portion defines a first passage therein between the first side surface and the second side surface, and a first opening on the first surface of the second substrate that is in fluid communication with the first passage;
  - (iii) sidewalls positioned above the first surface of the second substrate;
  - (iv) a third substrate positioned over the sidewalls and the second substrate and having a first surface and an opposite second surface, wherein the third substrate, the sidewalls, and the second substrate define a chamber, and wherein the chamber is in fluid communication

tion with a second passage defined by portions of the sidewalls and the third substrate;

- (b) confining the cell in the chamber;
  - (c) making an opening in the membrane of the cell;
  - (d) providing a first medium into the intracellular space of the cell through the opening in the membrane; and
  - (e) measuring the response of the cell to the first medium, wherein the first medium is introduced through the first passage into the intracellular space of the cell through the opening in the membrane.
2. The method of claim 1, further comprising the steps of:
- (a) providing a second medium into the chamber such that at least part of the membrane of the cell is in contact with the second medium; and
  - (b) measuring the response of the cell to the second medium.
3. The method of claim 2, wherein the first medium and the second medium are different or substantially same.
4. The method of claim 2, wherein the second medium comprises an agent.
5. The method of claim 1, wherein the first medium comprises an agent.
6. A device for monitoring the status of at least one cell, wherein the cell has a membrane forming a substantially enclosed structure and defining an intracellular space therein, comprising:
- (a) means for confining the cell in a chamber;
  - (b) means for making an opening in the membrane of the cell;
  - (c) means for providing a first medium into the intracellular space of the cell through the opening in the membrane; and
  - (d) means for measuring the response of the cell to the first medium,
- wherein the chamber is defined by a first substrate, a second substrate, a third substrate, and sidewalls, wherein the first substrate has a first surface and an opposite, second surface,
- wherein the second substrate is supported by the first substrate and comprises a first surface, an opposite second surface, a body portion between the first surface and the second surface, a first side surface and an opposite second side surface, wherein the body portion defines a first passage therein between the first side surface and the second side surface, and a first opening on the first surface of the second substrate that is in fluid communication with the first passage,
- wherein the sidewalls are positioned above the first surface of the second substrate,
- wherein the third substrate is positioned over the sidewalls and the second substrate and comprises a first surface and an opposite second surface, wherein the third substrate, the sidewalls, and the second substrate define the chamber, and wherein the chamber is in fluid communication with a second passage defined by portions of the sidewalls and the third substrate, and
- wherein the first medium is introduced through the first passage into the intracellular space of the cell through the opening in the membrane.
7. The device of claim 6, further comprising:
- (a) means for providing a second medium into the chamber such that at least part of the membrane of the cell is in contact with the second medium; and
  - (b) means for measuring the response of the cell to the second medium.
8. The device of claim 7, wherein the first medium and the second medium are different or substantially same.



59

9. The device of claim 7, wherein the second medium comprises an agent.

10. The device of claim 6, wherein the first medium comprises an agent.

11. A method for monitoring the status of at least one cell, wherein the cell has a membrane forming a substantially enclosed structure and defining an intracellular space therein, comprising the steps of:

- (a) providing a device for monitoring the status of the cell, the device comprising:
    - (i) a first substrate having a first surface and an opposite, second surface;
    - (ii) a second substrate supported by the first substrate, the second substrate having a first surface, an opposite second surface, a body portion between the first surface and the second surface, a first side surface and an opposite second side surface, wherein the body portion defines a first passage therein between the first side surface and the second side surface, and a first opening on the first surface of the second substrate that is in fluid communication with the first passage;
    - (iii) sidewalls positioned above the first surface of the second substrate;
    - (iv) a third substrate positioned over the sidewalls and the second substrate and having a first surface and an opposite second surface, wherein the third substrate, the sidewalls, and the second substrate define a chamber, and wherein the chamber is in fluid communication with a second passage defined by portions of the sidewalls and the third substrate;
  - (b) confining the cell in the chamber;
  - (c) making an opening in the membrane of the cell;
  - (d) providing a first medium into the intracellular space of the cell through the opening in the membrane;
  - (e) providing a second medium into the chamber such that at least part of the membrane of the cell is in contact with the second medium; and
  - (f) measuring the response of the cell to the second medium,
- wherein the first medium and the second medium are separated by the membrane of the cell.

12. The method of claim 11, further comprising the step of measuring the response of the cell to the first medium.

13. The method of claim 11, wherein the first medium and the second medium are different or substantially same.

14. The method of claim 11, wherein the second medium comprises an agent.

15. The method of claim 11, wherein the first medium comprises an agent.

16. A device for monitoring the status of at least one cell, wherein the cell has a membrane forming a substantially enclosed structure and defining an intracellular space therein, comprising:

- (a) means for confining the cell in a chamber;
- (b) means for making an opening in the membrane of the cell;
- (c) means for providing a first medium into the intracellular space of the cell through the opening in the membrane;
- (d) means for providing a second medium into the chamber such that at least part of the membrane of the cell is in contact with the second medium; and
- (e) means for measuring the response of the cell to the second medium,

wherein the first medium and the second medium are separated by the membrane of the cell,

wherein the chamber is defined by a first substrate, a second substrate, a third substrate, and sidewalls,

60

wherein the first substrate has a first surface and an opposite, second surface,

wherein the second substrate is supported by the first substrate and comprises a first surface, an opposite second surface, a body portion between the first surface and the second surface, a first side surface and an opposite second side surface, wherein the body portion defines a first passage therein between the first side surface and the second side surface, and a first opening on the first surface of the second substrate that is in fluid communication with the first passage,

wherein the sidewalls are positioned above the first surface of the second substrate, and

wherein the third substrate is positioned over the sidewalls and the second substrate and comprises a first surface and an opposite second surface, wherein the third substrate, the sidewalls, and the second substrate define the chamber, and wherein the chamber is in fluid communication with a second passage defined by portions of the sidewalls and the third substrate.

17. The device of claim 16, further comprising means for measuring the response of the cell to the first medium.

18. The device of claim 16, wherein the first medium and the second medium are different or substantially same.

19. The device of claim 16, wherein the first medium comprises an agent.

20. The device of claim 16, wherein the second medium comprises an agent.

21. A method for controlling the physiological status of at least one cell, wherein the cell has a membrane forming a substantially enclosed structure and defining an intracellular space therein and controls its physiological status through an internal cellular control mechanism, comprising the steps of:

- (a) providing a device for monitoring the status of the cell, the device comprising:
  - (i) a first substrate having a first surface and an opposite, second surface;
  - (ii) a second substrate supported by the first substrate, the second substrate having a first surface, an opposite second surface, a body portion between the first surface and the second surface, a first side surface and an opposite second side surface, wherein the body portion defines a first passage therein between the first side surface and the second side surface, and a first opening on the first surface of the second substrate that is in fluid communication with the first passage;
  - (iii) sidewalls positioned above the first surface of the second substrate;
  - (iv) a third substrate positioned over the sidewalls and the second substrate and having a first surface and an opposite second surface, wherein the third substrate, the sidewalls, and the second substrate define a chamber, and wherein the chamber is in fluid communication with a second passage defined by portions of the sidewalls and the third substrate;
- (b) providing at least one medium to the cell such that at least part of the membrane of the cell is in contact with the medium, such as to take over control of the physiological status of the cell from the internal cellular control mechanism,
- (c) confining the cell in the chamber; and
- (d) making an opening in the membrane of the cell.

22. The method of claim 21, wherein the providing step further comprises the steps of:

- (a) supplying a first medium through the first passage into the intracellular space of the cell through the opening in the membrane; and

## 61

- (b) supplying a second medium into the chamber such that at least part of the membrane of the cell is in contact with the second medium, wherein the first medium and the second medium are separated by the membrane of the cell.
23. The method of claim 22, further comprising the steps of:
- measuring the response of the cell to the second medium; and
  - adjusting the composition of the second medium from the response.
24. The method of claim 22, further comprising the steps of:
- measuring the response of the cell to the first medium; and
  - adjusting the composition of the first medium from the response.
25. The method of claim 22, wherein the first medium and the second medium are different or substantially same.
26. The method of claim 22, wherein the first medium comprises an agent.
27. The method of claim 22, wherein the second medium comprises an agent.
28. The method of claim 21, wherein the medium comprises an agent.
29. The method of claim 21, further comprising the step of:
- monitoring the concentration of at least one selected component of the medium; and
  - adjusting the composition of the medium from the monitored concentration of at least one selected component of the medium.
30. The method of claim 21, further comprising the steps of:
- measuring the response of the cell to the medium; and
  - adjusting the composition of the medium from the response.
31. A device for controlling the physiological status of at least one cell, wherein the cell has a membrane forming a substantially enclosed structure and defining an intracellular space therein and controls its physiological status through an internal cellular control mechanism, comprising:
- means for providing at least one medium to the cell such that at least part of the membrane of the cell is in contact with the medium, such as to take over control of the physiological status of the cell from the internal cellular control mechanism;
  - means for confining the cell in a chamber; and
  - means for making an opening in the membrane of the cell,
- wherein the chamber is defined by a first substrate, a second substrate, a third substrate, and sidewalls, wherein the first substrate has a first surface and an opposite, second surface,
- wherein the second substrate is supported by the first substrate and comprises a first surface, an opposite second surface, a body portion between the first surface and the second surface, a first side surface and an opposite second side surface, wherein the body portion defines a first passage therein between the first side surface and the second side surface, and a first opening on the first surface of the second substrate that is in fluid communication with the first passage,
- wherein the sidewalls are positioned above the first surface of the second substrate, and
- wherein the third substrate is positioned over the sidewalls and the second substrate and comprises a first surface and an opposite second surface, wherein the third sub-

## 62

- strate, the sidewalls, and the second substrate define the chamber, and wherein the chamber is in fluid communication with a second passage defined by portions of the sidewalls and the third substrate.
32. The device of claim 31, wherein the providing means further comprises:
- means for supplying a first medium through the first passage into the intracellular space of the cell through the opening in the membrane; and
  - means for supplying a second medium into the chamber such that at least part of the membrane of the cell is in contact with the second medium, wherein the first medium and the second medium are separated by the membrane of the cell.
33. The device of claim 32, further comprising:
- means for measuring the response of the cell to the second medium; and
  - means for adjusting the composition of the second medium from the response.
34. The device of claim 32, further comprising:
- means for measuring the response of the cell to the first medium; and
  - means for adjusting the composition of the first medium from the response.
35. The device of claim 32, wherein the first medium and the second medium are different or substantially same.
36. The device of claim 32, wherein the first medium comprises an agent.
37. The device of claim 32, wherein the second medium comprises an agent.
38. The device of claim 31, wherein the medium comprises an agent.
39. The device of claim 31, further comprising:
- means for monitoring the concentration of at least one selected component of the medium; and
  - means for adjusting the composition of the medium from the monitored concentration of at least one selected component of the medium.
40. The device of claim 31, further comprising:
- means for measuring the response of the cell to the medium; and
  - means for adjusting the composition of the medium from the response.
41. A method for controlling the physiological status of at least one cell, wherein the cell has a membrane forming a substantially enclosed structure and defining an intracellular space therein and controls its physiological status through an internal cellular control mechanism, comprising the steps of:
- providing a device for monitoring the status of the cell, the device comprising:
    - a first substrate having a first surface and an opposite, second surface;
    - a second substrate supported by the first substrate, the second substrate having a first surface, an opposite second surface, a body portion between the first surface and the second surface, a first side surface and an opposite second side surface, wherein the body portion defines a first passage therein between the first side surface and the second side surface, and a first opening on the first surface of the second substrate that is in fluid communication with the first passage;
    - sidewalls positioned above the first surface of the second substrate;
    - a third substrate positioned over the sidewalls and the second substrate and having a first surface and an opposite second surface, wherein the third substrate, the sidewalls, and the second substrate define a cham-

63

ber, and wherein the chamber is in fluid communication with a second passage defined by portions of the sidewalls and the third substrate;

- (b) providing at least one medium to the cell such that at least part of the membrane of the cell is in contact with the medium;
- (c) monitoring at least one selected component of the medium; and
- (d) adjusting the composition of the medium from the monitored concentration of at least one selected component of the medium to deliver or remove analytes to the intracellular space through the membrane such as to at least partially take over control of the physiological status of the cell from the internal cellular control mechanism.

42. A device for controlling the physiological status of at least one cell, wherein the cell has a membrane forming a substantially enclosed structure and defining an intracellular space therein and controls its physiological status through an internal cellular control mechanism, comprising:

- (a) means for confining the cell in a chamber;
- (b) means for providing at least one medium to the cell such that at least part of the membrane of the cell is in contact with the medium;
- (c) means for monitoring at least one selected component of the medium; and
- (d) means for adjusting the composition of the medium from the monitored concentration of at least one selected

64

component of the medium to deliver or remove analytes to the intracellular space through the membrane such as to at least partially take over control of the physiological status of the cell from the internal cellular control mechanism,

wherein the chamber is defined by a first substrate, a second substrate, a third substrate, and sidewalls,

wherein the first substrate has a first surface and an opposite, second surface,

wherein the second substrate is supported by the first substrate and comprises a first surface, an opposite second surface, a body portion between the first surface and the second surface, a first side surface and an opposite second side surface, wherein the body portion defines a first passage therein between the first side surface and the second side surface, and a first opening on the first surface of the second substrate that is in fluid communication with the first passage,

wherein the sidewalls are positioned above the first surface of the second substrate, and

wherein the third substrate is positioned over the sidewalls and the second substrate and comprises a first surface and an opposite second surface, wherein the third substrate, the sidewalls, and the second substrate define the chamber, and wherein the chamber is in fluid communication with a second passage defined by portions of the sidewalls and the third substrate.

\* \* \* \* \*